



Globe Valve

Straight Type, Flanged Ends

F-7303/F-7409
JIS 16K

Description: Straight type, bronze body, metal seated screw down stop valve with rising stem, secured bonnet, flat faced flanged

Application: Start/stop and throttling of; sea water, water, and oils, etc

Standard & Design:

Design Code: JIS F7303
 Inspection Standard: JIS F7400
 Flange Standard: JIS B2240
 Face To Face Standard: JIS F7427 (F7303)
 Flanges Drilled: JIS 16K (DN15-DN40)
 Pressure Rating: JIS 16K (DN15-DN40)

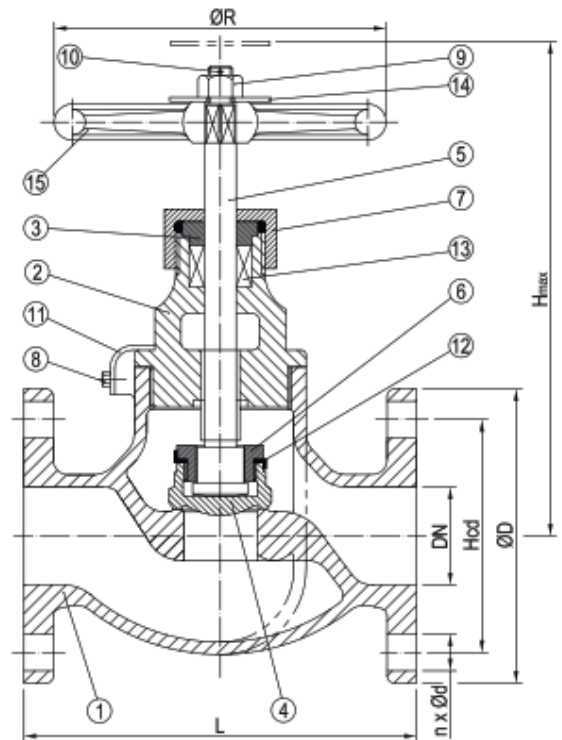
Variations:

F-7303=Fixed Disc
 F-7409=SDNR



Material:

No	Part	Material	Code
1	Body	Bronze	BC6
2	Bonnet	Bronze	C 3771 BE
3	Gland	Brass	C 3771 BE
4	Disc	Brass	C 3771 BE
5	Stem	Brass	C 3771 BE
6	Disc Nut	Brass	C 3771 BE
7	Gland Nut	Brass	C 3771 BE
8	Machine Screw	Stainless Steel	SUS 304
9	Hexagonal Nut	Stainless Steel	SUS 304
10	Split Pin	Brass	C 2600 W
11	Locking Plate	Brass	C 2600 P
12	Disc Lock Washer	Brass	C 2600 P
13	Packing	Graphite	-
14	Nameplate	Aluminium	Al
15	Handwheel	Cast Iron	FC200



DN	n x Ød	Hcd	ØD	L	H (max)	ØR	Kg
15	4x12	70	95	110	130	80	2.8
20	4x12	75	100	120	140	100	3.7
25	4x12	90	125	130	160	125	5.2
32	4x15	100	135	160	170	125	6.9
40	4x15	105	140	180	190	140	8.4

All measurements in mm. Weights are approximations