



Globe Valve

Straight Type, Flanged Ends

F-7301/F-7351
JIS 5K

Description: Straight type, bronze body, metal seated screw down stop valve with rising stem, secured bonnet, flat faced flanged

Application: Start/stop and throttling of; sea water, water, and oils, etc

Standard & Design:

Design Code: JIS F7301
 Inspection Standard: JIS F7400
 Flange Standard: JIS B2240
 Face To Face Standard: JIS F7427 (F7301)
 Flanges Drilled: JIS 5K (DN15-DN65)
 Pressure Rating: JIS 5K (DN15-DN65)

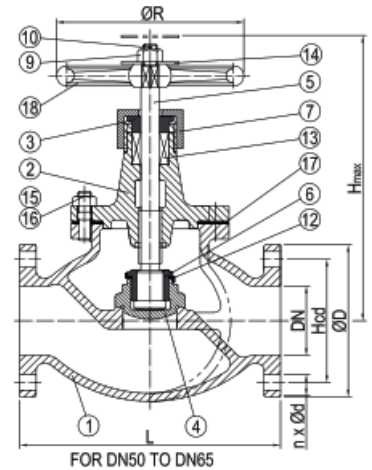
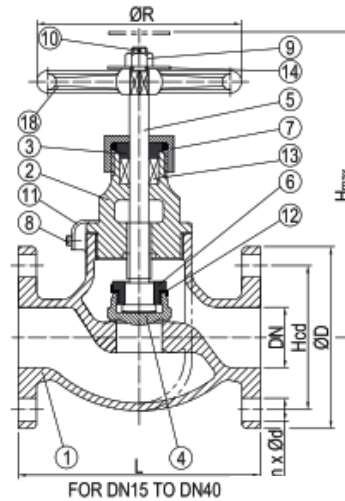
Variations:

F-7301=Fixed Disc
 F-7351=SDNR



Material:

No	Part	Material	Code
1	Body	Bronze	BC6
2	Bonnet (<=DN40)	Brass	C 3771 BE
	(>=DN50)	Bronze	BC6
3	Gland	Brass	C 3771 BE
4	Disc (<=DN40)	Brass	C 3771 BE
	(>=DN50)	Bronze	BC6
5	Stem	Brass	C 3771 BE
6	Disc Nut	Brass	C 3771 BE
7	Gland Nut	Brass	C 3771 BE
8	Machine Screw	Stainless Steel	SUS 304
9	Hexagonal Nut	Stainless Steel	SUS 304
10	Split Pin	Brass	C 2600 W
11	Locking Plate	Brass	C 2600 P
12	Disc Lock Washer	Brass	C 2600 P
13	Packing	Graphite	-
14	Nameplate	Aluminium	Al
15	Stud	Brass	C 3771 BE
16	Hexagonal Nut	Brass	C 3771 BE
17	Gasket	Asbestos Free	-
18	Handwheel	Cast Iron	FC200



DN	n x Ød	Hcd	ØD	L	H (max)	ØR	Kg
15	4x12	60	80	100	130	80	2.0
20	4x12	65	85	110	140	100	2.9
25	4x12	75	95	120	160	125	3.5
32	4x15	90	115	140	170	125	5.0
40	4x15	95	120	160	190	140	6.5
50	4x15	105	130	210	235	140	11.7
65	4x15	130	155	250	260	160	17.0

All measurements in mm. Weights are approximations