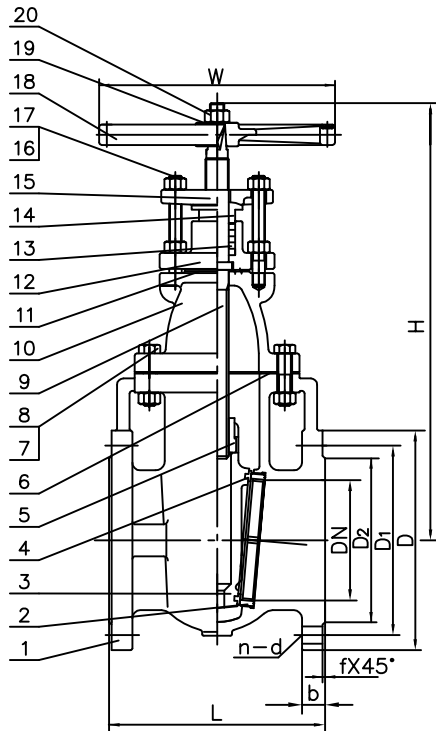




CAST IRON GATE VALVE (NON-RISING STEM)

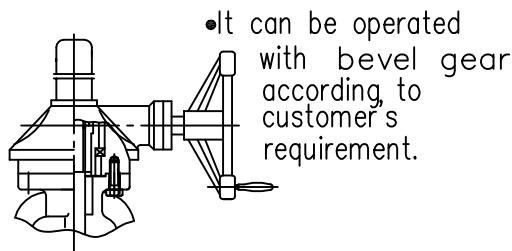
BS5150 PN16



- Design and Manufacture Conform to BS5150
- Flange dimensions Conform to BS4504 PN16
- Face to Face dimensions Conform to BS5150 PN16
- Testing Conform to BS6755

MATERIALS

NO.	PART NAME	MATERIAL(C.I.)	MATERIAL(D.I.)
1	BODY	ASTM A126 B	ASTM A536
2	SEAT RING	ASTM B62 or 13Cr	ASTM B62 or 13Cr
3	WEDGE	ASTM A126 B	ASTM A536
4	WEDGE RING	ASTM B62 or 13Cr	ASTM B62 or 13Cr
5	WEDGE NUT	Mn-BRASS	Mn-BRASS
6	BONNET GASKET	GRAPHITE+STEEL	GRAPHITE+STEEL
7	BONNET BOLT	ASTM A307	ASTM A307
8	BONNET NUT	CARBON STEEL	CARBON STEEL
9	STEM	ASTM B16 or 13Cr	ASTM B16 or 13Cr
10	BONNET	ASTM A126 B	ASTM A536
11	STUFFING BOX GASKET	GRAPHITE+STEEL	GRAPHITE+STEEL
12	STUFFING BOX	ASTM A126 B	ASTM A536
13	PACKING	GRAPHITE	GRAPHITE
14	PACKING GLAND	ASTM B16 or 13Cr	ASTM B16 or 13Cr
15	GLAND FOLLOWER	ASTM A536	ASTM A536
16	PACKING GLAND BOLT	CARBON STEEL	CARBON STEEL
17	PACKING GLAND NUT	CARBON STEEL	CARBON STEEL
18	HANDWHEEL	ASTM A126 B	ASTM A126 B
19	WASHER	CARBON STEEL	CARBON STEEL
20	NUT	CARBON STEEL	CARBON STEEL



- It can be equipped with open and close position indicator.

DIMENSIONS (mm)

DN	L	D	D ₁	D ₂	b	n-d	f	H	W	Kg
50	178	165	125	99	20	4-19	3	309	180	20
65	190	185	145	118	20	4-19	3	324	180	26
80	203	200	160	132	22	8-19	3	370	200	30
100	229	220	180	156	24	8-19	3	430	200	47
125	254	250	210	184	26	8-19	3	475	240	65
150	267	285	240	211	26	8-23	3	538	240	81
200	292	340	295	266	30	12-23	3	678	320	141
250	330	405	355	319	32	12-28	3	750	320	202
300	356	460	410	370	32	12-28	4	880	400	286
350	381	520	470	429	36	16-28	4	940	505	420
400	406	580	525	480	38	16-31	4	1080	556	530
450	432	640	585	548	40	20-31	4	1180	610	638
500	457	715	650	609	42	20-34	4	1380	640	950
600	508	840	770	720	48	20-37	5	1460	640	1284