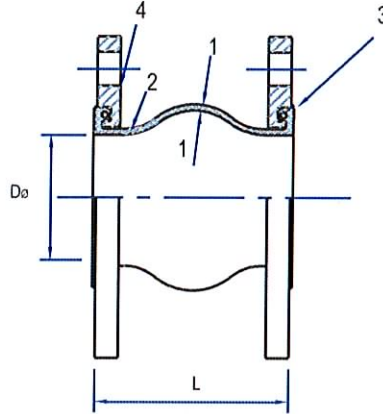
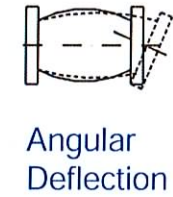
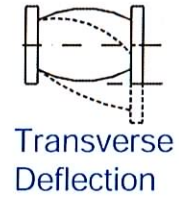
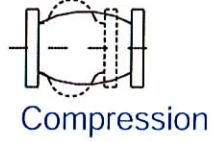
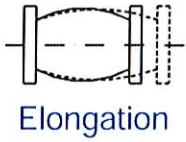




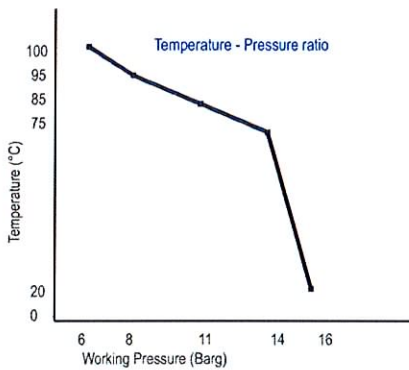
RUBBER EXPANSION JOINTS



STRUCTURE

Item#	Part	Materials
1	Body	EPDM Rubber
2	Reinforced	Nylon Tyre Cord
3	Wire	Hard Steel Wire
4	Flange	Mild Steel, Galvanized Various drilling available

Diam. DØ mm (in.)	L mm	Axial Compression	Axial Elongation	Transverse Deflection	Angular Deflection	Max. Pressure Bar - 20°C	Max. Temp. °C	Vacuum Rating mm Hg
32 (1¼)	130	30	20	20	35°	16	100	400
40 (1½)	130	30	20	20	35°	16	100	400
50 (2)	130	30	20	20	35°	16	100	400
65 (2½)	130	30	20	20	30°	16	100	400
80 (3)	130	30	20	20	30°	16	100	400
100 (4)	130	30	20	20	25°	16	100	400
125 (5)	130	30	20	20	25°	16	100	400
150 (6)	130	30	20	20	15°	16	100	400
200 (8)	130	30	20	20	15°	16	100	400
250 (10)	130	30	20	20	10°	16	100	400
300 (12)	130	30	20	20	10°	16	100	400



Remarks:

1. Applicable fluids: water, warm water, seawater, weak acids, alkalies etc...
2. Available flange drilling: DIN, ANSI and JIS in steel or stainless steel.
3. Also available in Nitrile Rubber