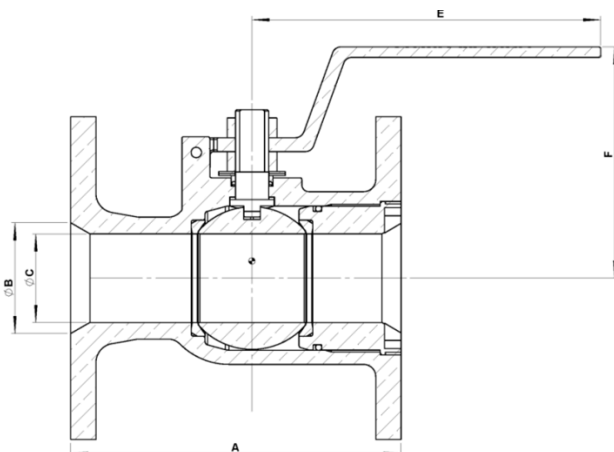


OV-Series Ball Valves One Piece, Full and Reduced Bore Flanged End Entry, Floating Ball

Line Item	Part Number	Description	Equivalent Fit Form & Function for:
1	13229	40mm Reduced Bore, PN16 Flange	12217, 12030,
2	13121	40mm Full Bore, PN16 Flange	12171-H,11603-H, 11611-H, 12654
3	13086	50mm Reduced Bore, PN16 Flange	13086-BS, 11621-J, 12283, 12036, 12038
4	13125	50mm Full Bore, PN 16 Flange	12137-J, 11612-J, 11604-J, 12567, 12306
5	13088	65mm Reduced Bore, PN16 Flange	13088-BS, 13227, 11620-K, 13205, 13380, 12323, 12041
6	13124	65mm Full Bore, PN16 Flange	13124-BS, 12138-K, 11743-K, 11605-K, 13194, 11743, 12241, 12568
7	12284	80mm Reduced Bore, PN 16 Flange	12284-BS, 12284-L, 13090, 13207, 12045
8	11613-L	80mm Full Bore, PN16 Flange	12139-L, 11606-L, 12139-L, 11606-L

- A Proven design with thousands In service across all types of platforms
- Quality castings produced using state of the art processes and sourced from a Lloyds approved foundry
- EN10204, 3.1 Certification available
- Fit Form and Function replacement for other ball valves
- Suitable for medium shock applications
- Low noise
- All valves have actuator mounting points for a straightforward conversion
- All valves provide a locking feature
- Anti-blowout stem feature
- Suitable for Seawater, Grey water, Fuel and Oil



Part Number	Description	A	B	C	E	F
13229	40mm Reduced Bore	165	38.1	31.8	175	110.4
13121	40mm Full Bore	165	38.1	n/a	175	116
13086	50mm Reduced Bore	176	51.1	37.7	174.5	116.6
13125	50mm Full Bore	203	51.2	n/a	200.3	132.1
13088	65mm Reduced Bore	192	63.9	51.2	199.5	133
13124	65mm Full Bore	224	63.5	n/a	387.4	181.3
12284-L	80mm Reduced Bore	205	75.97	63.5	387.4	181.3
11613-L	80mm Full Bore	241	76.2	n/a	587	168.5