



Description

Self-closing valve for tank sounding. With vent valve.

Specifications

Bonnet connection:	Screwed
Execution:	Straight
Connection type:	Threaded female

Media

Fuel oil, lubricating oil and flammable hydraulic oil. Cargo oil. Non-flammable hydraulic fluid. Boiler feedwater, condensate. Seawater and freshwater.

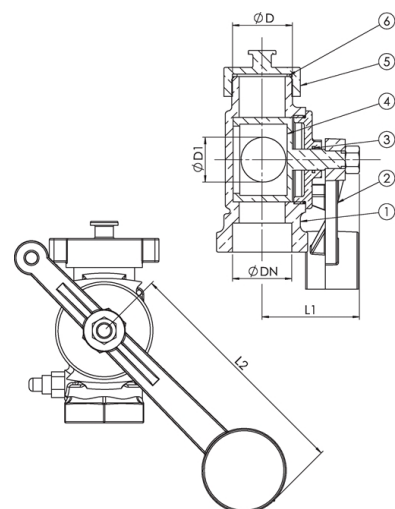
Options

Footpedal.

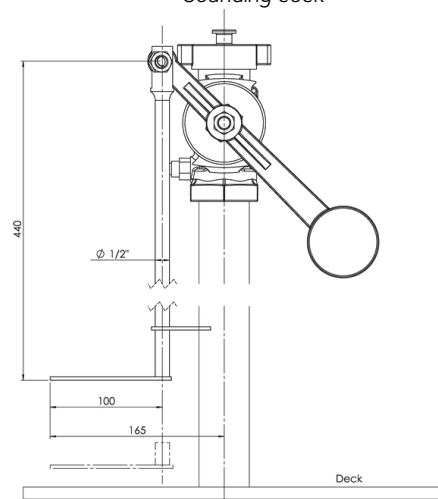


Material

No.	Part	Material
1	Body	Bronze CC491K (RG5)
2	Lever	Cast iron EN-JL1040 (GG25)
3	Sealing	NBR
4	Plug of cock	Bronze CC491K (RG5)
5	Cap	Bronze CC491K (RG5)
6	Sealing	NBR



Sounding cock



Sounding cock with footpedal

Items

DN	Pressure rating	Connection (BSP)	D	D1	L1	L2	Weight (kg)	Item no.
32	PN 2.5	G 1 1/4"	G 1 1/2"	35	80	175	3.8	80273
40	PN 2.5	G 1 1/2"	G 1 1/2"	35	80	175	3.5	80274
50	PN 2.5	G 2"	G 1 1/2"	35	80	175	4.5	80275
65	PN 2.5	G 2 1/2"	G 1 1/2"	35	100	175	5.0	81885
80	PN 2.5	G 3"	G 1 1/2"	35	100	175	6.0	91860

All measurements in mm. Weights are approximations.