



Diaphragm valve

The main advantage of a diaphragm valve is the almost full flow opening and hence very low head loss. Diaphragm valves are good for controlling flow, normally they are used for compressed air, seawater or freshwater and in a great number of other applications. Full flow also means less wear and tear compared to other valves, giving longer lifetime and reduced need for maintenance.

A diaphragm valve consists of body, diaphragm and bonnet and is operated either with handwheel or with pneumatic or electric actuator. Our diaphragm valves have built-in open/closed indicator, a variety of options for coating and can be delivered with different lining materials for example NBR, EPDM or natural rubber. Diaphragm valves in cast iron are also featured with over-closure protection to compensate for variations in diaphragm and lining thickness. The diaphragm valves are tamper-proof to prevent adjustment by unauthorized personnel.





Diaphragm valve, threaded connection 469052

DESCRIPTION

Diaphragm valve is often used for freshwater, seawater and compressed air applications. Multiturn operation. Round handwheel for G 2 1/2" and larger sizes, smaller sizes delivered with grab handle. Female threaded connections.

SPECIFICATIONS

Bonnet connection: Bolted
Execution: Weir
Connection type: Threaded female

MEDIA

Corrosive fluids. Fuel oil, lubricating oil and flammable hydraulic oil. Cargo oil. Air. Gas. Non-flammable hydraulic fluid. Boiler feedwater, condensate. Seawater and freshwater.

VARIANTS

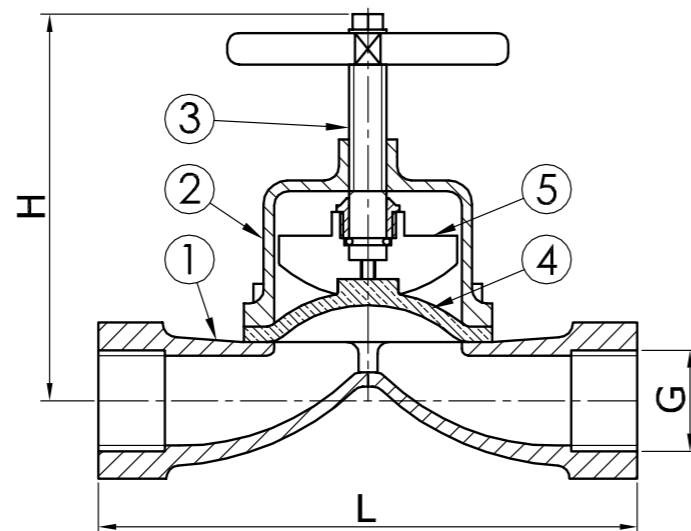
Other materials, coatings and linings on request.

No.	Part	Material
1	Body	Cast iron EN-JL1040 (GG25)
2	Bonnet	Cast iron EN-JL1040 (GG25)
3	Stem	Stainless steel 1.4301 (AISI304)
4	Diaphragm	NBR
5	Disc	Cast iron EN-JL1040 (GG25)

DN	Max. working pressure (bar)	
	-10°C to +50°C	
8-50	16	
65-80	10	

DN	Pressure rating	L	G (BSP)	H	Weight	Item no.
8	PN 16	50	G 1/4"	72	0,2 kg	90815
15	PN 16	66	G 1/2"	98	0,8 kg	90195
20	PN 16	86	G 3/4"	110	1,2 kg	90196
25	PN 16	108	G 1"	123	2,0 kg	90197
32	PN 16	122	G 1 1/4"	149	3,1 kg	90198
40	PN 16	142	G 1 1/2"	166	4,0 kg	90199
50	PN 16	167	G 2"	188	6,0 kg	90200
65	PN 16	225	G 2 1/2"	224	9,8 kg	41045
80	PN 16	276	G 3"	256	17,0 kg	41044

All measurements in mm. Weights are approximations.



Diaphragm valve, flanged connection 469252

DESCRIPTION

Diaphragm valve is often used for freshwater, seawater and compressed air applications. Multiturn operation. Round handwheel only for DN 65 and larger sizes, smaller sizes delivered with grab handle. Flange connection.

SPECIFICATIONS

Flange standard: ISO 7005-2
Face to face standard: EN 558, series 1
Bonnet connection: Bolted
Execution: Weir
Connection type: Flanged

MEDIA

Corrosive fluids. Fuel oil, lubricating oil and flammable hydraulic oil. Cargo oil. Air. Gas. Non-flammable hydraulic fluid. Boiler feedwater, condensate. Seawater and freshwater.

VARIANTS

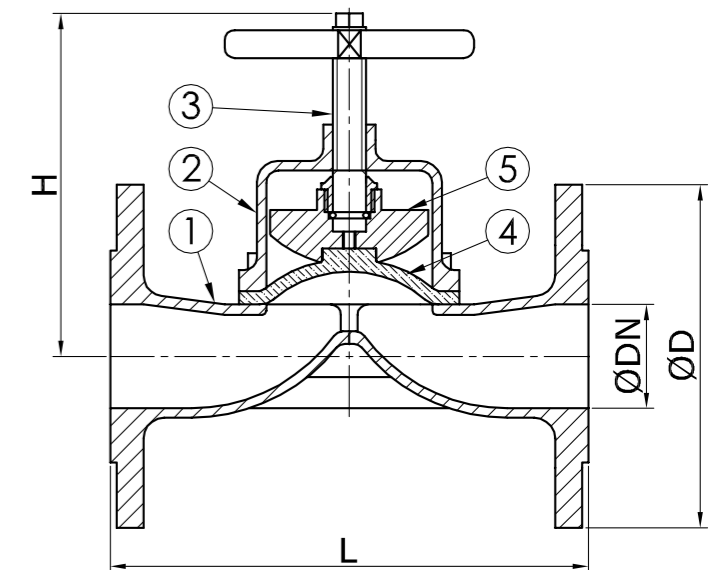
Other materials, coatings and linings on request.

No.	Part	Material
1	Body	Cast iron EN-JL1040 (GG25)
2	Bonnet	Cast iron EN-JL1040 (GG25)
3	Stem	Stainless steel 1.4301 (AISI304)
4	Diaphragm	NBR
5	Disc	Cast iron EN-JL1040 (GG25)

DN	Connection	Max. working pressure (bar)	
		-10°C to +50°C	
15-50	PN 16	16	
65-150	PN 10	10	
200	PN 10	7	

DN	Pressure rating	Connection	L	D	H	Weight	Item no.
15	PN 16	PN 16	130	95	107	2,2 kg	41547
20	PN 16	PN 16	150	105	107	2,9 kg	41548
25	PN 16	PN 16	160	115	115	4,7 kg	41549
32	PN 16	PN 16	180	140	140	6,4 kg	41550
40	PN 16	PN 16	200	150	158	7,6 kg	41551
50	PN 16	PN 16	230	165	174	10,0 kg	41552
65	PN 10	PN 10	290	185	210	17,0 kg	41553
80	PN 10	PN 10	310	200	240	23,0 kg	41554
100	PN 10	PN 10	350	220	295	32,0 kg	41555
125	PN 10	PN 10	400	250	385	50,0 kg	41556
150	PN 10	PN 10	480	285	425	74,0 kg	41557
200	PN 7	PN 10	600	340	497	174,0 kg	41558

All measurements in mm. Weights are approximations.





Diaphragm fire hydrant valve 469422

DESCRIPTION

Diaphragm valve is often used for freshwater, seawater and compressed air applications. Multiturn operation. Flange mounted valve with male threaded connection for fire fighting and deck washing.

SPECIFICATIONS

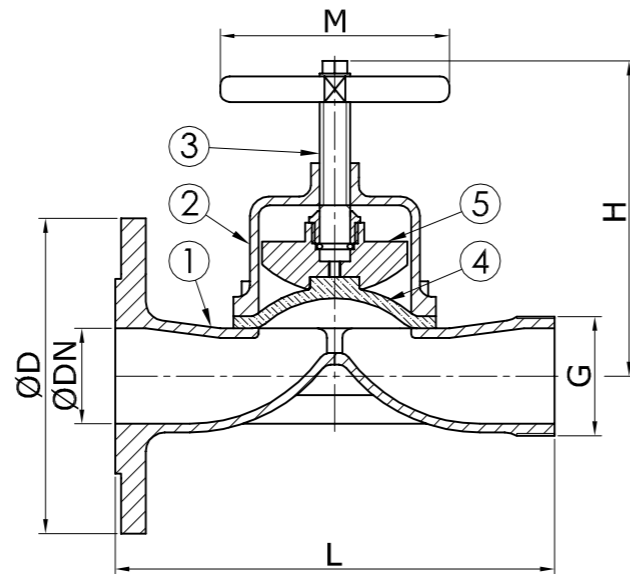
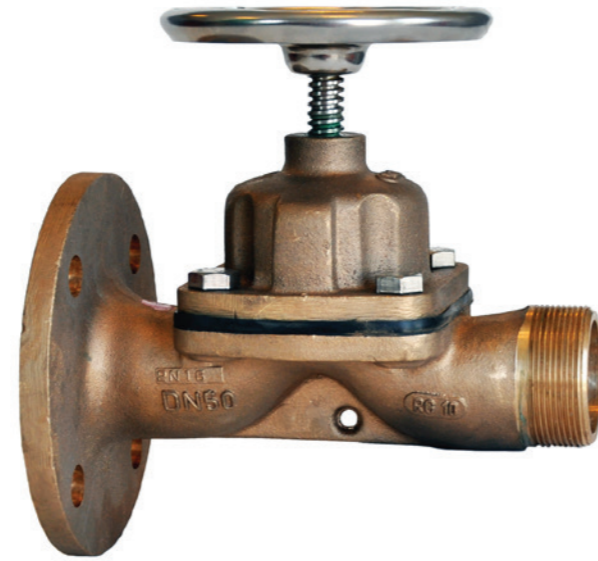
Bonnet connection: Bolted
Execution: Weir
Connection type: Flanged, Threaded male

APPLICATION

For fire fighting systems.

MEDIA

Seawater and freshwater.



No.	Part	Material
1	Body	Bronze CC491K (RG5)
2	Bonnet	Bronze CC491K (RG5)
3	Stem	Special brass CW710R (SoMs59)
4	Diaphragm	EPDM
5	Disc	Bronze CC491K (RG5)

DN	Max. working pressure (bar)
	-10°C to +120°C
50-65	10

DN	Pressure rating	L	G (BSP)	D	H	M	Weight	Item no.
50	PN 10	228	G 2"	165	183	140	10,0 kg	92652
65	PN 10	285	G 2 1/2"	185	200	140	15,0 kg	41152

All measurements in mm. Weights are approximations.



Diaphragm valve, threaded connection 469452

DESCRIPTION

Diaphragm valve is often used for freshwater, seawater and compressed air applications. Multiturn operation. Round handwheel only for G 2", G 1" delivered with grab handle. Female threaded connections.

SPECIFICATIONS

Bonnet connection: Bolted
Execution: Straight
Connection type: Threaded female

MEDIA

Corrosive fluids. Fuel oil, lubricating oil and flammable hydraulic oil. Cargo oil. Air. Gas. Non-flammable hydraulic fluid. Seawater and freshwater.

VARIANTS

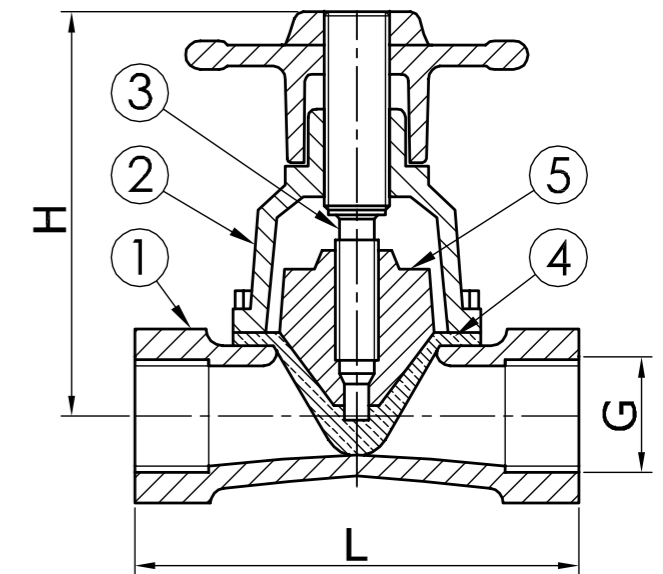
Other materials, coatings and linings on request.

No.	Part	Material
1	Body	Cast iron EN-JL1040 (GG25)
2	Bonnet	Cast iron EN-JL1040 (GG25)
3	Stem	Stainless steel 1.4301 (AISI304)
4	Diaphragm	NBR
5	Disc	Cast iron EN-JL1040 (GG25)

DN	Max. working pressure (bar)
	-10°C to +50°C
25-50	16

DN	Pressure rating	L	G (BSP)	H	Weight	Item no.
25	PN 16	108	G 1"	150	1,5 kg	41545
50	PN 16	168	G 2"	194	5,1 kg	41546

All measurements in mm. Weights are approximations.





Diaphragm valve, flanged connection

469652

DESCRIPTION

Diaphragm valve is often used for freshwater, seawater and compressed air applications. Multiturn operation. Round handwheel only for DN 50 and larger sizes, smaller sizes delivered with grab handle. Flange connection.

SPECIFICATIONS

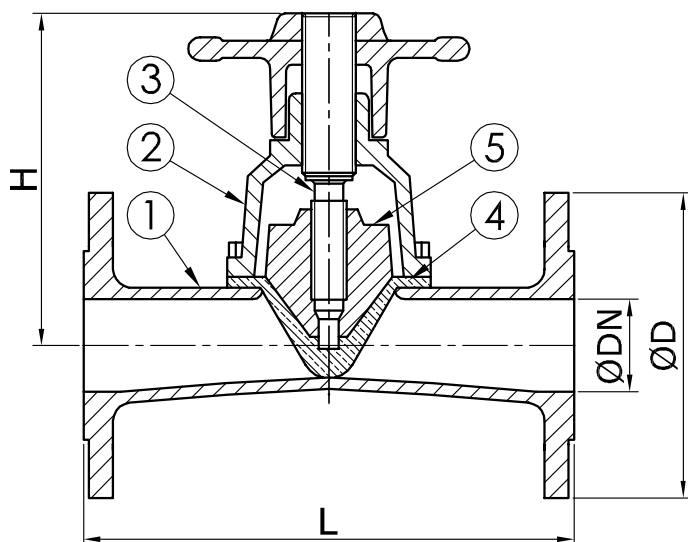
Flange standard: ISO 7005-2
 Face to face standard: EN 558, series 1
 Bonnet connection: Bolted
 Execution: Straight
 Connection type: Flanged

MEDIA

Corrosive fluids. Fuel oil, lubricating oil and flammable hydraulic oil. Cargo oil. Air. Gas. Non-flammable hydraulic fluid. Seawater and freshwater.

VARIANTS

Other materials, coatings and linings on request.



No.	Part	Material
1	Body	Cast iron EN-JL1040 (GG25)
2	Bonnet	Cast iron EN-JL1040 (GG25)
3	Stem	Stainless steel 1.4301 (AISI304)
4	Diaphragm	NBR
5	Disc	Cast iron EN-JL1040 (GG25)

DN	Connection	Max. working pressure (bar)
		-10°C to +50°C
25-100	PN 10	10
125-150	PN 10	6
200	PN 10	3,5

DN	Pressure rating	Connection	L	D	H	Weight	Item no.
25	PN 10	PN 10	160	115	150	4,4 kg	41559
40	PN 10	PN 10	200	150	150	6,3 kg	41560
50	PN 10	PN 10	230	165	194	10,0 kg	41561
65	PN 10	PN 10	290	185	270	16,0 kg	41562
80	PN 10	PN 10	310	200	270	27,0 kg	41563
100	PN 10	PN 10	350	220	300	34,0 kg	41564
125	PN 6	PN 10	400	250	420	52,0 kg	41565
150	PN 6	PN 10	480	285	420	69,0 kg	41566
200	PN 3,5	PN 10	600	340	453	136,0 kg	41567

All measurements in mm. Weights are approximations.