



Description

Self closing valve used in water or fuel systems where the valves are opened with the lever and closed automatically by the spring. Can be locked in closed position by the handwheel. Metal sealing.

Specifications

Flange standard:	ISO 7005-2
Face to face standard:	ISO 5752, basic series 8
Bonnet connection:	Bolted
Execution:	Angled
Connection type:	Flanged
Operation:	Handwheel, Selfclosing
Actuation:	Multiturn



Media

Thermal oil. Fuel oil, lubricating oil and flammable hydraulic oil. Cargo oil. Non-flammable hydraulic fluid. Boiler feedwater, condensate. Seawater and freshwater.

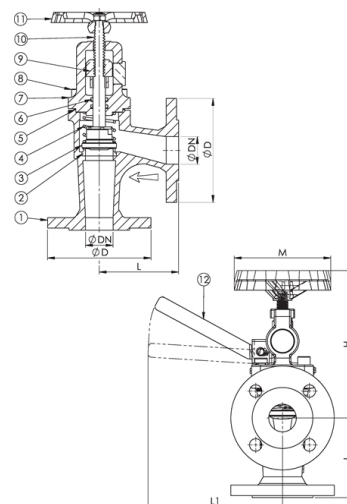
Material

No.	Part	Material
1	Body	Ductile iron EN-JS1030 (GGG40)
2	Seat ring	Stainless steel 1.4301 (AISI304)
3	Disc	Stainless steel 1.4301 (AISI304)
4	Spring	Spring steel SH (1084 ASTM A713)
5	Gasket	NBR bonded aramid
6	O-ring	FPM/FKM
7	Bonnet	Ductile iron EN-JS1030 (GGG40)
8	Bolt	8.8 FZB
9	Setting nut	Brass CW617N (Ms58)
10	Stem	Stainless steel 1.4301 (AISI304)
11	Handwheel	Cast iron EN-JL1040 (GG25)
12	Lever	Stainless steel 1.4301 (AISI304)



Max. working pressure (bar) at °C

DN	Connection	up to 120°C	180°C
15 - 80	PN 16	16	10
15 - 80	ANSI 150	16	10



DIN

DN	Pressure rating	Connection	L	D	L1	H	M	Weight (kg)	Color	Item no.
15	PN 16	PN 16	90	95	166	185	120	4.3	Red RAL 3011	75670
20	PN 16	PN 16	95	105	166	185	120	4.5	Red RAL 3011	75671
25	PN 16	PN 16	100	115	168	195	120	5.6	Red RAL 3011	75672
32	PN 16	PN 16	105	140	168	194	120	7.1	Red RAL 3011	75673
40	PN 16	PN 16	115	150	201	217	140	10.0	Red RAL 3011	75674
50	PN 16	PN 16	125	165	204	217	140	12.0	Red RAL 3011	75675
65	PN 16	PN 16	145	185	278	254	140	17.0	Red RAL 3011	75676
80	PN 16	PN 16	155	200	285	259	160	24.0	Red RAL 3011	75677

All measurements in mm. Weights are approximations.

Flanges drilled ANSI

DN	Pressure rating	Connection	L	D	L1	H	M	Weight (kg)	Color	Item no.
15	PN 16	ANSI 150	95	105	166	185	120	4.3	Red RAL 3011	41714
20	PN 16	ANSI 150	100	115	168	195	120	5.0	Red RAL 3011	41715
25	PN 16	ANSI 150	90	95	166	185	120	5.6	Red RAL 3011	75845
32	PN 16	ANSI 150	105	140	168	194	120	7.4	Red RAL 3011	41716
40	PN 16	ANSI 150	115	150	201	217	140	10.0	Red RAL 3011	41717

All measurements in mm. Weights are approximations.



Flanges drilled ANSI

DN	Pressure rating	Connection	L	D	L1	H	M	Weight (kg)	Color	Item no.
50	PN 16	ANSI 150	125	165	204	217	140	12.0	Red RAL 3011	41718
65	PN 16	ANSI 150	145	185	278	254	140	17.0	Red RAL 3011	41719
80	PN 16	ANSI 150	155	200	285	259	160	22.0	Red RAL 3011	41720

All measurements in mm. Weights are approximations.