



Self closing valve 921002

DESCRIPTION

Lever operated self closing valve with spring return.
Face to face according to ISO 5752 basic series 1.

APPLICATION

Drain valve for fluids that do not attack the integral material.

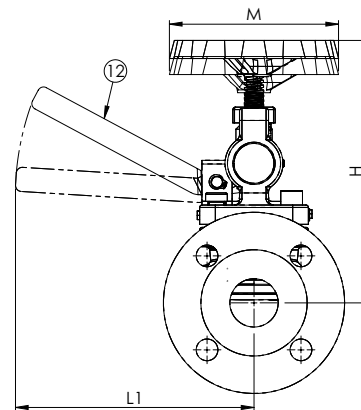
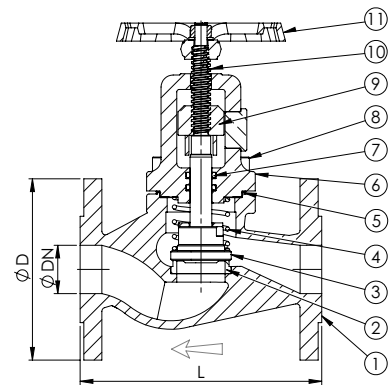
OPTIONS

Available flange drilling: ANSI 150. Other flange standards and materials on request. For JIS standard see product 521002.



No.	Part	Material
1	Body	Nodular cast iron EN-JS1030 (GGG40)
2	Seat ring	Stainless steel 1.4301 (AISI 304)
3	Disc	Stainless steel 1.4301 (AISI 304)
4	Spring	Spring steel SH (1084 ASTM A713)
5	Gasket	NBR bonded aramide
6	Bonnet	Nodular cast iron EN-JS1030 (GGG40)
7	O-ring	FPM (Viton)
8	Screw	8.8 FZB
9	Setting nut	Brass CW617N (Ms 58)
10	Stem	Stainless steel 1.4301 (AISI 304)
11	Handwheel	Cast iron EN-JL1040 (GG25)
12	Lever	Stainless steel 1.4301 (AISI 304)

DN	Max. working pressure (bar)	
	up to 120°C	180°C
15-80	16	10



DN	Connection	Pressure rating	L	L1	D	H	M	Kg
15	PN 16	PN 16	130	166	95	176	120	4,3
20	PN 16	PN 16	150	166	105	178	120	5
25	PN 16	PN 16	160	168	115	188	120	5,8
32	PN 16	PN 16	180	168	140	192	120	7,4
40	PN 16	PN 16	200	201	150	202	140	10
50	PN 16	PN 16	230	204	165	224	140	12
65	PN 16	PN 16	290	278	185	253	140	17
80	PN 16	PN 16	310	285	200	253	160	24

All measurements in mm. Flanges according to ISO 7005. Weights are approximations.

Revision 1