



Gate valve 620102

DESCRIPTION

Face to face dimension according to EN 558, series 14.
Flanges according to PN 16, drilled (DN 200-700 PN 10).
With indicator.

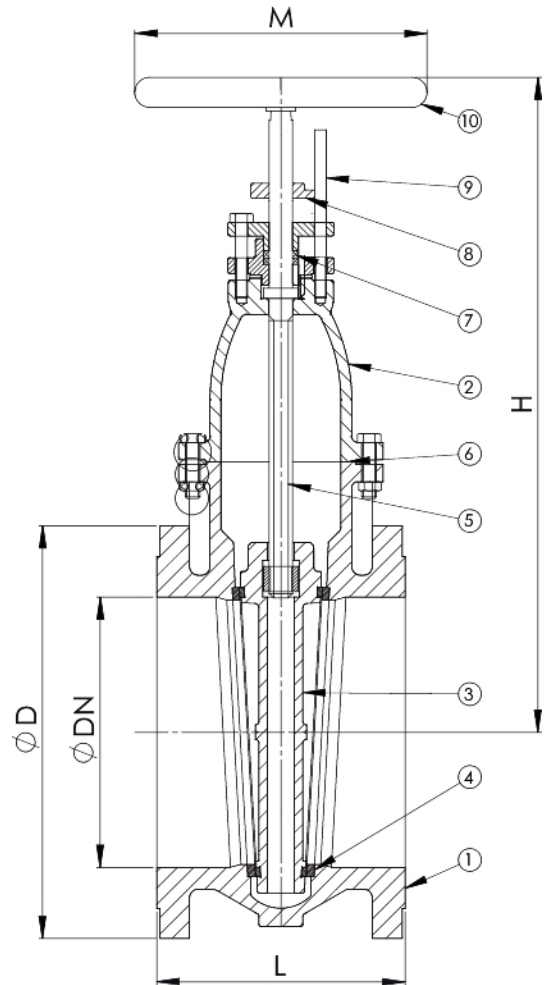
APPLICATION

Liquids that do not attack the integral material.

No.	Part	Material
1	Body	Nodular cast iron EN-JS1025 (GGG40.3)
2	Bonnet	Nodular cast iron EN-JS1025 (GGG40.3)
3	Disc	Nodular cast iron EN-JS1025 (GGG40.3)
4	Disc ring	Bronze CC491K (RG5)
5	Stem	Brass CW614N (Ms 58)
6	Gasket	NBR bonded aramide
7	Gland packing	PTFE
8	Indicator	Bronze CC491K (RG5)
9	Indicator pin	Steel 1.0037 (St37)
10	Handwheel	Cast iron EN-JL1040 (GG25)

DN	Max. working pressure (bar)
	120°C
40-150	16
200-300	10
350-500	6
600-700	4





DN	Connection	Pressure rating	L	D	H	M	Kg
40	PN 16	PN 16	140	150	265	140	11
50	PN 16	PN 16	150	165	270	140	13
65	PN 16	PN 16	170	185	295	160	17
80	PN 16	PN 16	180	200	325	160	20
100	PN 16	PN 16	190	220	365	200	28
125	PN 16	PN 16	200	250	440	200	40
150	PN 16	PN 16	210	285	490	200	50
200	PN 10	PN 10	230	340	610	250	85
250	PN 10	PN 10	250	395	730	315	135
300	PN 10	PN 10	270	445	870	315	180
350	PN 10	PN 6	290	505	950	400	225
400	PN 10	PN 6	310	565	1045	400	295
450	PN 10	PN 6	330	615	1100	400	350
500	PN 10	PN 6	350	670	1250	500	530
600	PN 10	PN 4	390	780	1475	500	640
700	PN 10	PN 4	430	895	1650	630	820

All measurements in mm. Flanges according to EN 1092-2/B. Weights are approximations.