



Description Sight glass with double tempered inspection glass.

Specifications

| | |
|--------------------|-----------|
| Flange standard: | EN 1092-2 |
| Bonnet connection: | Bolted |
| Execution: | Straight |
| Connection type: | Flanged |



Media

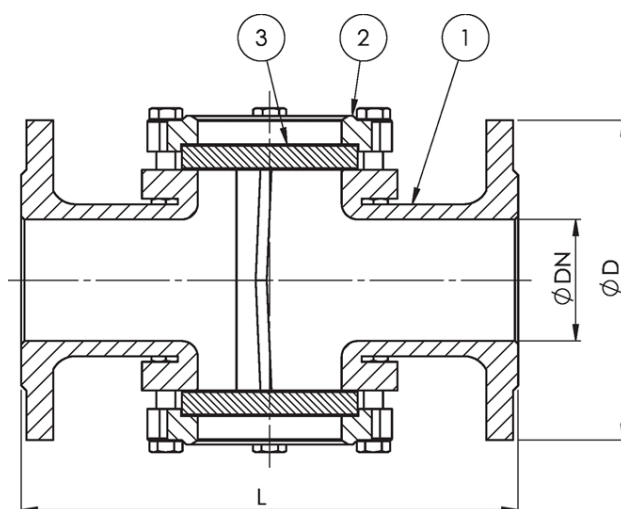
Fuel oil, lubricating oil and flammable hydraulic oil. Cargo oil. Non-flammable hydraulic fluid. Boiler feedwater, condensate. Seawater and freshwater.

Material

| No. | Part | Material |
|-----|--------|----------------------------|
| 1 | Body | Cast iron EN-JL1040 (GG25) |
| 2 | Bonnet | Cast iron EN-JL1040 (GG25) |
| 3 | Glass | Double tempered glass |

Max. working pressure (bar) at °C

| DN | Connection | up to 120°C | 150°C | 180°C | 200°C | 230°C | 250°C | 320°C |
|----------|------------|-------------|-------|-------|-------|-------|-------|-------|
| 15 - 250 | PN 16 | 16 | 14.4 | 13.4 | 12.8 | 11.8 | 11.2 | 9.6 |





Sight glass

| DN | Pressure rating | Connection | L | D | Weight (kg) | Item no. |
|-----|-----------------|------------|-----|-----|-------------|----------|
| 15 | PN 16 | PN 16 | 135 | 95 | 3.0 | 40421 |
| 20 | PN 16 | PN 16 | 150 | 105 | 4.0 | 92613 |
| 25 | PN 16 | PN 16 | 160 | 115 | 4.0 | 89997 |
| 32 | PN 16 | PN 16 | 180 | 140 | 6.0 | 82027 |
| 40 | PN 16 | PN 16 | 200 | 150 | 7.0 | 81960 |
| 50 | PN 16 | PN 16 | 230 | 165 | 9.0 | 81961 |
| 65 | PN 16 | PN 16 | 290 | 185 | 17.0 | 81962 |
| 80 | PN 16 | PN 16 | 310 | 200 | 18.0 | 81963 |
| 100 | PN 16 | PN 16 | 350 | 220 | 23.0 | 90600 |
| 125 | PN 16 | PN 16 | 400 | 250 | 50.0 | 91461 |
| 150 | PN 16 | PN 16 | 480 | 285 | 63.0 | 91801 |
| 200 | PN 16 | PN 16 | 600 | 340 | 120.0 | 81984 |
| 200 | PN 16 | PN 10 | 600 | 340 | 120.0 | 80530 |
| 250 | PN 16 | PN 16 | 730 | 405 | 160.0 | 40422 |
| 250 | PN 16 | PN 10 | 730 | 405 | 160.0 | 80531 |

All measurements in mm. Weights are approximations.