



Strainer y-type, flanged connection

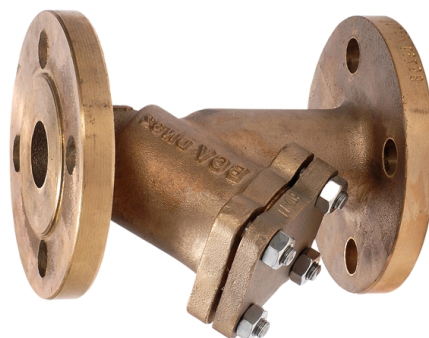
483422

Description

Strainers are used in systems which needs to be protected against debris during pipe installation or regular operation. Y-type strainer. DN 40–300 with drain plug. It is possible to get the strainer basket with different mesh size.

Specifications

Flange standard:	EN 1092-3
Face to face standard:	EN 558, series 1
Bonnet connection:	Bolted
Execution:	Straight
Connection type:	Flanged
Perforation:	1 mm



Media

Steam. Thermal oil. Fuel oil, lubricating oil and flammable hydraulic oil. Cargo oil. Air. Gas. Non-flammable hydraulic fluid. Boiler feedwater, condensate. Seawater and freshwater.

Variants

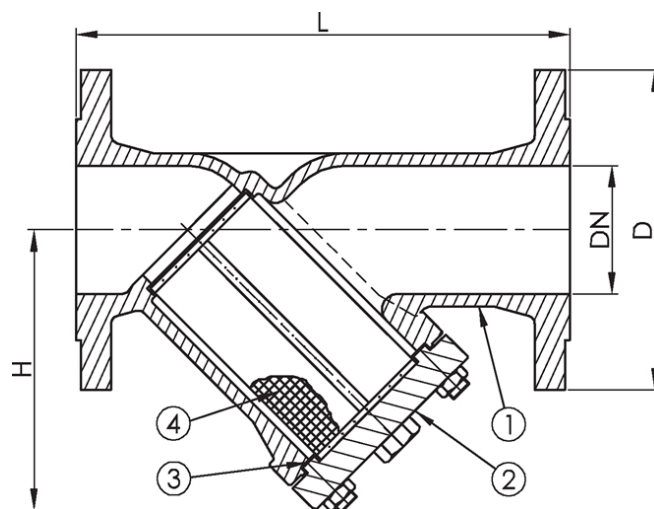
Other body materials on request. Other mesh sizes on request.

Material

No.	Part	Material
1	Body	Bronze CC491K (RG5)
2	Cover	Bronze CC491K (RG5)
3	Gasket	Graphite
4	Strainer	Stainless steel 1.4301 (AISI304)

Max. working pressure (bar) at °C

DN	Connection	up to 120°C	180°C
15 - 150	PN 16	16	12
200 - 300	PN 10	10	8



Strainer y-type measurement drawing

Items

DN	Pressure rating	Connection	L	D	H	Weight (kg)	Color	Item no.
15	PN 16	PN 16	130	95	75	3.0	Unpainted	40791
20	PN 16	PN 16	150	105	75	3.5	Unpainted	40792
25	PN 16	PN 16	160	115	90	4.5	Unpainted	40793
32	PN 16	PN 16	180	140	90	5.5	Unpainted	40794
40	PN 16	PN 16	200	150	110	8.0	Unpainted	40795
50	PN 16	PN 16	230	165	120	9.5	Unpainted	40796
65	PN 16	PN 16	290	185	140	15.0	Unpainted	40797
80	PN 16	PN 16	310	200	170	21.0	Unpainted	40798
100	PN 16	PN 16	350	220	220	27.0	Unpainted	40799
125	PN 16	PN 16	400	250	260	49.0	Unpainted	40800
150	PN 16	PN 16	480	285	300	76.0	Unpainted	40801
200	PN 10	PN 10	600	340	360	135.0	Unpainted	40802
250	PN 10	PN 10	730	395	440	192.0	Unpainted	40803
300	PN 10	PN 10	850	445	525	274.0	Unpainted	40804

All measurements in mm. Weights are approximations.