



Mud box 482051

DESCRIPTION

Mud box, straight with PN 10 drilled flange ends.

Face to face according to DIN 87151-1.

Mesh-size:

- DN 40-65 5x5 mm
- DN 80-150 8x8 mm

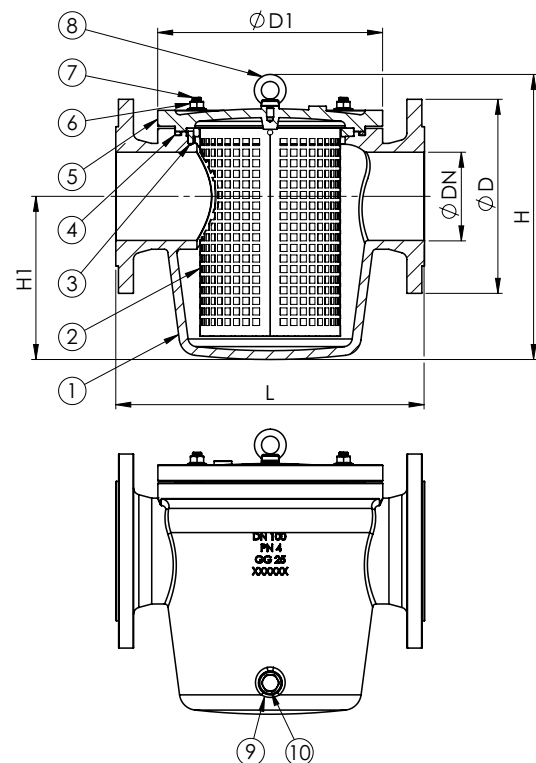
VARIANTS

Other strainer materials and mesh-sizes.



No.	Part	Material
1	Body	Cast iron EN-JL1040 (GG25)
2	Strainer element	Stainless steel 1.4432 (AISI 316L)
3	Pin	Stainless steel 1.4432 (AISI 316L)
4	O-ring	NBR
5	Bonnet	Cast iron EN-JL1040 (GG25)
6	Flange nut	8.8 FZB
7	Stud bolt	8.8 FZB
8	Lifting eye bolt	8.8 FZB
9	Washer	(DN 80-150) Copper
10	Plug	(DN 80-150) Brass CW614N (Ms 58)

DN	Max. working pressure (bar)
	up to 80°C
40-150	4



DN	Connection	Pressure rating	L	D	D1	H	H1	Height for lifting strainer element	Kv-value	Kg
40	PN 10	PN 4	200	150	130	191	95	255	42	10
50	PN 10	PN 4	230	165	160	214	106	291	64	15
65	PN 10	PN 4	290	185	197	252	134	362	104	22
80	PN 10	PN 4	310	200	215	282	156	421	160	26
100	PN 10	PN 4	350	220	255	323	185	498	240	37
125	PN 10	PN 4	400	250	293	394	229	683	360	51
150	PN 10	PN 4	480	285	340	447	268	712	520	68

All measurements in mm. Flanges according to ISO 7005. Weights are approximations.



Mud box, with support feet 482051

DESCRIPTION

Mud box, straight with PN 10 drilled flange ends.
Face to face according to DIN 87151-1.
Mesh-size 8x8 mm. With support feet.

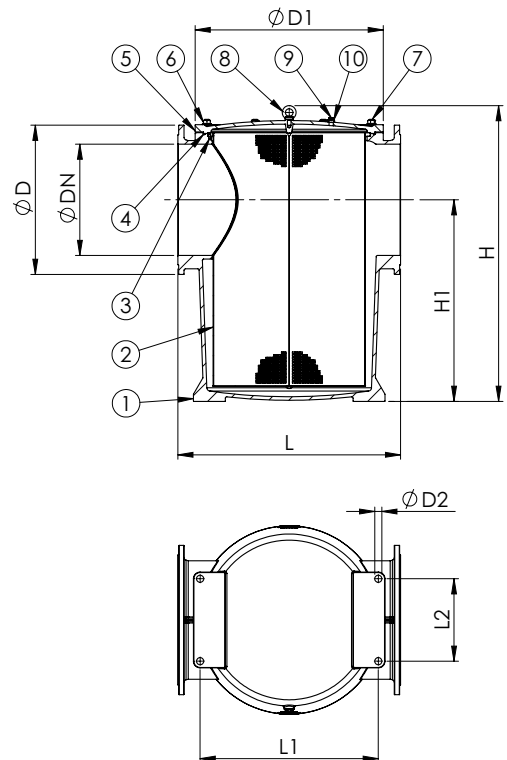
VARIANTS

Other strainer materials and mesh-sizes.



No.	Part	Material
1	Body	Cast iron EN-JL1040 (GG25)
2	Strainer element	Stainless steel 1.4432 (AISI 316L)
3	Pin	Stainless steel 1.4432 (AISI 316L)
4	O-ring	NBR
5	Bonnet	Cast iron EN-JL1040 (GG25)
6	Flange nut	8.8 FZB
7	Stud bolt	8.8 FZB
8	Lifting eye bolt	8.8 FZB
9	Washer	Copper
10	Plug	Brass CW614N (Ms 58)

DN	Max. working pressure (bar)
	up to 80°C
200-300	4



DN	Connection	Pressure rating	L	L1	L2	D	D1	D2	H	H1	Height for lifting strainer element	Kv-value	Kg
200	PN 10	PN 4	600	410	180	340	430	26	563	335	901	960	133
250	PN 10	PN 4	600	480	215	395	505	26	609	353	984	1530	165
300	PN 10	PN 4	600	480	215	445	505	26	664	383	1091	2170	179

All measurements in mm. Flanges according to ISO 7005. Weights are approximations.



Mud box DN 350-750 482051

DESCRIPTION

Mud box, straight with PN 10 drilled flange ends.
Face to face according to DIN 87151-1.
Mesh-size 8x8 mm.

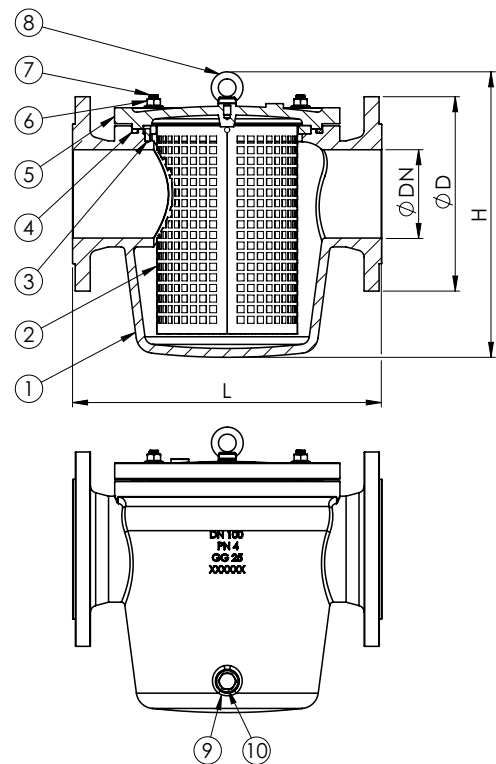
VARIANTS

Other strainer materials.



No.	Part	Material
1	Body	Cast iron EN-JL1040 (GG25)
2	Strainer element	Stainless steel 1.4401 (AISI 316)
3	Pin	Stainless steel 1.4401 (AISI 316)
4	O-ring	NBR
5	Bonnet	Cast iron EN-JL1040 (GG25)
6	Flange nut	Steel
7	Stud bolt	Steel
8	Lifting eye bolt	Steel
9	Washer	Copper
10	Plug	Brass CW614N (Ms 58)

DN	Max. working pressure (bar)
	up to 80°C
350-450	4
500-750	2,5



DN	Connection	Pressure rating	L	D	H	Kg
350	PN 10	PN 4	610*	505	740	300
400	PN 10	PN 4	740	565	900	430
450	PN 10	PN 4	1000	615	1000	480
500	PN 10	PN 2,5	1100	670	1100	555
600	PN 10	PN 2,5	1100	780	1100	820
700	PN 10	PN 2,5	1250	895	1150	1000
750	PN 10	PN 2,5	1350	965	1200	1200

All measurements in mm. Flanges according to EN 1092/B. Weights are approximations. * Available with other FTF dimensions.