



Mud box 482021

DESCRIPTION

Mud box, straight with PN 10 drilled flange ends.
Face to face according to DIN 87151-1.
Mesh-size:

- DN 40-65 5x5 mm
- DN 80-500 8x8 mm

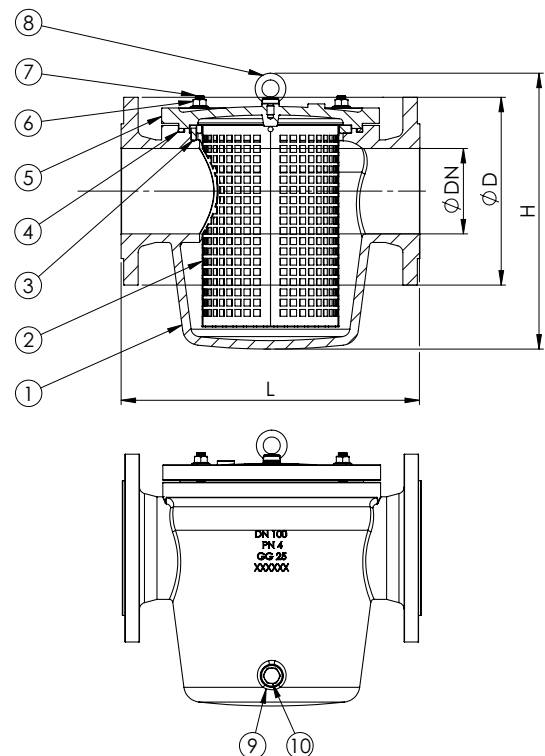
VARIANTS

Other strainer materials and mesh-sizes.



No.	Part	Material
1	Body	Bronze CC491K (RG5)
2	Strainer	Stainless steel 1.4401 (AISI 316)
3	Pin	A2
4	O-ring	NBR
5	Bonnet	Bronze CC491K (RG5)
6	Flange nut	A2
7	Stud bolt	A2
8	Lifting eye bolt	A2
9	Washer	(DN 80-150) A2
10	Plug G 1/2"	(DN 80-150) Stainless steel 1.4301 (AISI 304)

DN	Max. working pressure (bar)
	up to 120°C
25-450	4
500-700	2,5



10

DN	Connection	Pressure rating	D	L	H	Kg
25	PN 10	PN 4	115	160	180	6
32	PN 10	PN 4	140	200	210	10
40	PN 10	PN 4	150	200	210	12
50	PN 10	PN 4	165	230	225	12
65	PN 10	PN 4	185	290	265	23
80	PN 10	PN 4	200	310	300	28
100	PN 10	PN 4	220	350	340	39
125	PN 10	PN 4	250	400	415	63
150	PN 10	PN 4	285	480	465	84
200	PN 10	PN 4	340	600	575	155

All measurements in mm. Flanges according to EN 1092-3/B. Weights are approximations. * Available with other face to face dimensions.