



Check valve 472052

DESCRIPTION

Face to face dimensions according to EN 558, series 1.
Flanges according to PN 16, drilled (DN 200-250 PN 10).

APPLICATION

Liquids and steam that do not attack the integral material.

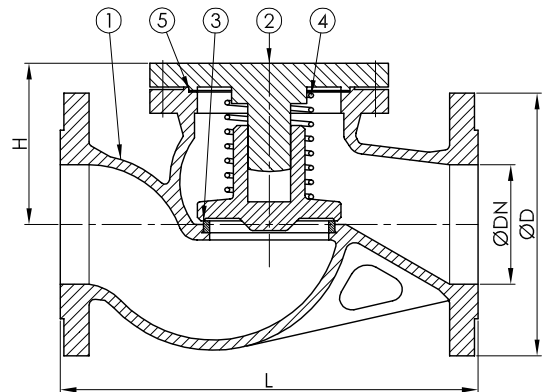
VARIANTS

Stainless steel trim.



No.	Part	Material
1	Body	Cast iron EN-JL1040 (GG25)
2	Bonnet	Cast iron EN-JL1040 (GG25)
3	Seats	Bronze CC491K (RG5)
4	Spring	Stainless steel 1.4310 (AISI 301)
5	Bonnet gasket	Graphite

DN	Max. working pressure (bar)	
	up to 120°C	180°C
15-125	16	10
150-200	10	6
250	6	4



DN	Connection	Pressure rating	L	H	D	Kg
15	PN 16	PN 16	130	70	95	3
20	PN 16	PN 16	150	70	105	3,5
25	PN 16	PN 16	160	75	115	4
32	PN 16	PN 16	180	80	140	5
40	PN 16	PN 16	200	90	150	7
50	PN 16	PN 16	230	100	165	10
65	PN 16	PN 16	290	110	185	15
80	PN 16	PN 16	310	130	200	22
100	PN 16	PN 16	350	150	220	31
125	PN 16	PN 16	400	170	250	47
150	PN 16	PN 10	480	190	285	80
200	PN 10	PN 10	600	210	340	125
250	PN 10	PN 6	730	230	395	200

All measurements in mm. Flanges according to EN 1092-2/B. Weights are approximations.