



Check valve, threaded connection 470022

Description

Check valve used in liquid or compressed air systems to allow the media to only flow in one direction. Straight type with female screwed ends. Screwed bonnet, metal sealing and spring. For horizontal and vertical (upwards flow) installation.

Specifications

Bonnet connection:	Screwed
Execution:	Straight
Connection type:	Threaded female



Media

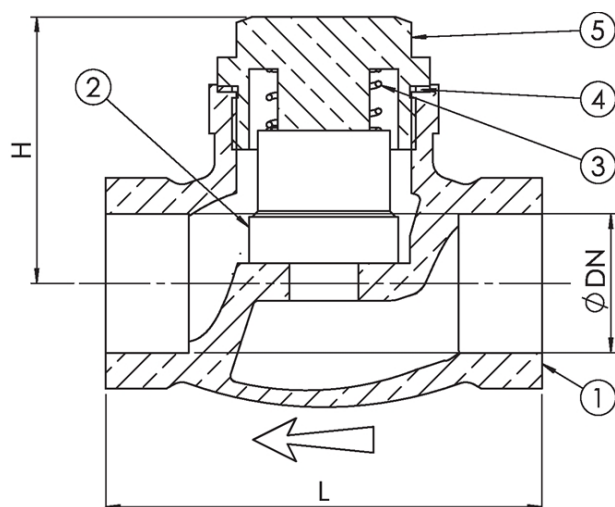
Steam. Thermal oil. Fuel oil, lubricating oil and flammable hydraulic oil. Cargo oil. Air. Gas. Non-flammable hydraulic fluid. Boiler feedwater, condensate. Seawater and freshwater.

Material

No.	Part	Dimension	Material
1	Body		Bronze CC491K (RG5)
2	Disc	DN 10-50	Bronze CC493K (RG7)
2	Disc	DN 65-80	Bronze CC491K (RG5)
3	Spring		Stainless steel 1.4571 (AISI316Ti)
4	Gasket		PTFE
5	Blind plug	DN 10-32	Special brass CW710R (SoMs59)
5	Blind plug	DN 40-80	Bronze CC491K (RG5)

Max. working pressure (bar) at °C

DN	up to 120°C	up to 225°C (steam up to 180°C)
10 - 80	16	10



Items

DN	Pressure rating	Connection (BSP)	L	H	Weight (kg)	Color	Item no.
10	PN 16	G 3/8"	60	40	0.3	Unpainted	80840
15	PN 16	G 1/2"	65	40	0.1	Unpainted	80351
20	PN 16	G 3/4"	75	50	0.5	Unpainted	80352
25	PN 16	G 1"	90	50	0.9	Unpainted	80353
32	PN 16	G 1 1/4"	105	60	1.3	Unpainted	80354
40	PN 16	G 1 1/2"	120	65	1.9	Unpainted	80355
50	PN 16	G 2"	145	75	3.0	Unpainted	80356
65	PN 16	G 2 1/2"	170	90	5.8	Unpainted	81952
80	PN 16	G 3"	200	100	7.3	Unpainted	81144

All measurements in mm. Weights are approximations.