



Globe valve straight type, flanged connection

467264

Description

Globe valve with shut off, screw down non return (SDNR) or regulating function. Metal sealing. Rising stem type.

Specifications

Flange standard:	EN 1092-1
Face to face standard:	EN 558, series 1
Bonnet connection:	Bolted
Execution:	Straight
Connection type:	Flanged
Operation:	Handwheel
Actuation:	Multiturn



467264pict

Application

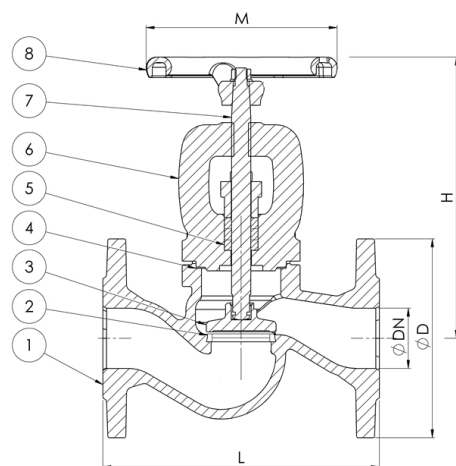
Temperature range -20°C to +400°C.

Media

Steam. Fuel oil, lubricating oil and flammable hydraulic oil. Cargo oil.
Air. Non-flammable hydraulic fluid. Boiler feedwater, condensate.
Seawater and freshwater.

Material

No.	Part	Material
1	Body	Cast steel 1.0619 (WCB)
2	Seat	Stainless steel 1.4301 (AISI304)
3	Disc	Stainless steel 1.4021 (AISI420)
4	Gasket	Graphite + CrNiSt
5	Gland packing	Graphite
6	Bonnet	Cast steel 1.0619 (WCB)
7	Stem	Stainless steel 1.4021 (AISI420)
8	Handwheel	Ductile iron EN-JS1025 (GGG40.3)



Globe valve straight

Stop valve

DN	Pressure rating	Connection	L	D	H	M	Weight (kg)	Color	Item no.
15	PN 40	PN 40	130	95	208	120	4.3	Blue RAL 5002	93300
20	PN 40	PN 40	150	105	208	120	5.1	Blue RAL 5002	93301
25	PN 40	PN 40	160	115	208	120	5.8	Blue RAL 5002	93302
32	PN 40	PN 40	180	140	248	180	9.5	Blue RAL 5002	93303
40	PN 40	PN 40	200	150	248	180	9.8	Blue RAL 5002	93304
50	PN 40	PN 40	230	165	332	250	17.5	Blue RAL 5002	93305
65	PN 40	PN 40	290	185	332	250	20.5	Blue RAL 5002	93306
80	PN 40	PN 40	310	200	407	250	34.0	Blue RAL 5002	93307
100	PN 40	PN 40	350	235	407	250	44.0	Blue RAL 5002	93308
125	PN 40	PN 40	400	270	571	320	77.0	Blue RAL 5002	93309
150	PN 40	PN 40	480	300	571	320	113.0	Blue RAL 5002	93310
200	PN 40	PN 40	600	375	571	400	180.0	Blue RAL 5002	93311

All measurements in mm. Weights are approximations.



SDNR valve with spring

DN	Pressure rating	Connection	L	D	H	M	Weight (kg)	Color	Item no.
15	PN 40	PN 40	130	95	208	120	4.3	Blue RAL 5002	93372
20	PN 40	PN 40	150	105	208	120	5.1	Blue RAL 5002	93373
25	PN 40	PN 40	160	115	108	120	5.8	Blue RAL 5002	93374
32	PN 40	PN 40	180	140	248	180	9.5	Blue RAL 5002	93375
40	PN 40	PN 40	200	150	248	180	9.8	Blue RAL 5002	93376
50	PN 40	PN 40	230	165	332	250	17.5	Blue RAL 5002	93377
65	PN 40	PN 40	290	185	332	250	20.5	Blue RAL 5002	93378
80	PN 40	PN 40	310	200	407	250	34.0	Blue RAL 5002	93379
100	PN 40	PN 40	350	235	407	250	44.0	Blue RAL 5002	93380
125	PN 40	PN 40	400	270	571	320	77.0	Blue RAL 5002	93381
150	PN 40	PN 40	480	300		320	113.0	Blue RAL 5002	93382

All measurements in mm. Weights are approximations.

Regulating disc

DN	Pressure rating	Connection	L	D	H	M	Weight (kg)	Color	Item no.
15	PN 40	PN 40	130	95	208	120	4.3	Blue RAL 5002	93383
20	PN 40	PN 40	150	105	208	120	5.1	Blue RAL 5002	93384
25	PN 40	PN 40	160	115	108	120	5.8	Blue RAL 5002	93385
32	PN 40	PN 40	180	140	248	180	9.5	Blue RAL 5002	93386
40	PN 40	PN 40	200	150	248	180	9.8	Blue RAL 5002	93387
50	PN 40	PN 40	230	165	332	250	17.5	Blue RAL 5002	93388
65	PN 40	PN 40	290	185	332	250	20.5	Blue RAL 5002	93389
80	PN 40	PN 40	310	200	407	250	34.0	Blue RAL 5002	93390
100	PN 40	PN 40	350	235	407	250	44.0	Blue RAL 5002	93391
125	PN 40	PN 40	400	270	571	320	77.0	Blue RAL 5002	93392
150	PN 40	PN 40	480	300		320	113.0	Blue RAL 5002	93393

All measurements in mm. Weights are approximations.