



# Globe valve 467164

## DESCRIPTION

Face to face dimensions according to EN 558, series 8.  
Flanges according to PN 40, drilled (DN 200-300 PN 25).

## APPLICATION

Liquids and steam that do not attack the integral material.

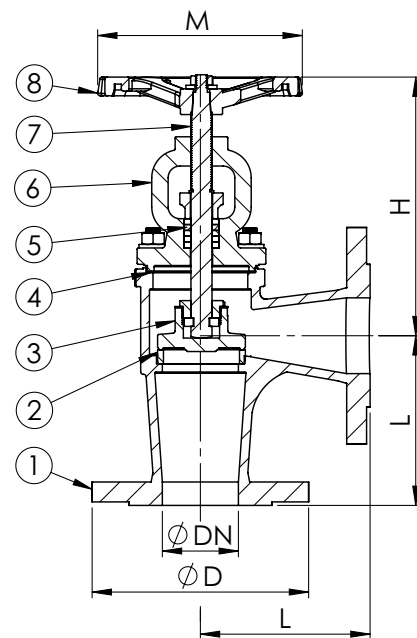
## VARIANTS

SDNR disc, regulating disc.



No.	Part	Material
1	Body	Cast steel 1.0619 (WCB)
2	Seat	Stainless steel 1.4301 (AISI 304)
3	Disc	(DN 15-65) Stainless steel 1.4021 (AISI 420) (DN 80-200) Cast steel 1.0619 (WCB)
4	Gasket	Graphite
5	Gland packing	Graphite
6	Bonnet	Cast steel 1.0619 (WCB)
7	Stem	Stainless steel 1.4021 (AISI 420)
8	Handwheel	Cast iron EN-JL1040 (GG25)

DN	Max. working pressure (bar)
	up to 120°C
15-150	40
200	16
250	10
300	6



DN	Connection	Pressure rating	D	L	H	M	Kg
15	PN 40	PN 40	95	90	155	120	4,2
20	PN 40	PN 40	105	95	155	120	5,0
25	PN 40	PN 40	115	100	170	140	6,0
32	PN 40	PN 40	140	105	175	140	8,0
40	PN 40	PN 40	150	115	195	160	10
50	PN 40	PN 40	165	125	205	160	13
65	PN 40	PN 40	185	145	225	180	18
80	PN 40	PN 40	200	155	250	200	24
100	PN 40	PN 40	235	175	305	225	38
125	PN 40	PN 40	270	200	315	250	50
150	PN 40	PN 40	300	225	380	300	70
200	PN 25	PN 16	360	325	470	520	170
250	PN 25	PN 10	425	375	550	520	230
300	PN 25	PN 6	485	375	550	520	230

All measurements in mm. Flanges according to EN 1092-1/B. Weights are approximations.

Revision 1