



# Globe valve 467102

3

## DESCRIPTION

Face to face dimensions according to EN 558, series 8.  
Flanges according to PN 16, drilled (DN 200-300 PN 10).

## APPLICATION

Liquids and steam that do not attack the integral material.

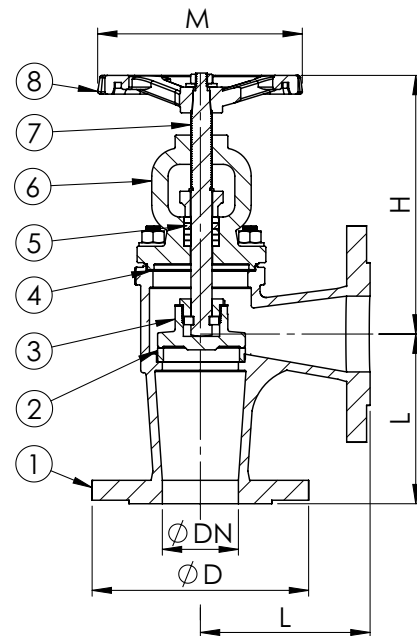
## VARIANTS

SDNR disc, regulating disc, stainless steel trim.



No.	Part	Material
1	Body	Nodular cast iron EN-JS1030 (GGG40)
2	Seat	Bronze CC491K (RG5)
3	Disc	(DN15-65) Bronze CC491K (RG5) (DN80-200) Nodular cast iron EN-JS1030 (GGG40)
4	Gasket	Graphite
5	Gland packing	Graphite
6	Bonnet	Nodular cast iron EN-JS1030 (GGG40)
7	Stem	Special brass CW710R (SoMs59)
8	Handwheel	Cast iron EN-JL1040 (GG25)

DN	Max. working pressure (bar)	
	up to 120°C	180°C
15-150	16	10
200-250	10	6



DN	Connection	Pressure rating	L	D	H	M	Kg
15	PN 16	PN 16	90	95	173	120	3,9
20	PN 16	PN 16	95	105	173	120	4,5
25	PN 16	PN 16	100	115	189	120	5,5
32	PN 16	PN 16	105	140	190	120	6,6
40	PN 16	PN 16	115	150	225	140	9,1
50	PN 16	PN 16	125	165	218	140	12
65	PN 16	PN 16	145	185	246	140	17
80	PN 16	PN 16	155	200	274	160	23
100	PN 16	PN 16	175	220	303	160	32
125	PN 16	PN 16	200	250	310	200	46
150	PN 16	PN 16	225	285	360	200	67
200	PN 10	PN 10	275	340	488	400	126
250	PN 10	PN 10	325	395	550	400	184

All measurements in mm. Flanges according to EN 1092-2. Weights are approximations.

Revision 1