



Globe valve angled type, flanged connection

459522

Description

Globe valve with shut off or screw down non return (SDNR) function. Angled, rising stem valve with screwed and secured bonnet as well as metal sealing. For warm sea water it is recommended to use a stem of zinc free bronze, CuSn6.

Specifications

Flange standard:	EN 1092-3
Bonnet connection:	Screwed, Secured
Execution:	Angled
Connection type:	Flanged
Operation:	Handwheel
Actuation:	Multiturn



Application

For temperatures up to 225 °C, steam up to 180 °C.

Media

Steam. Fuel oil, lubricating oil and flammable hydraulic oil. Cargo oil. Boiler feedwater, condensate. Seawater and freshwater.

Variants

CuSn6 stem.

Options

Spring for SDNR.

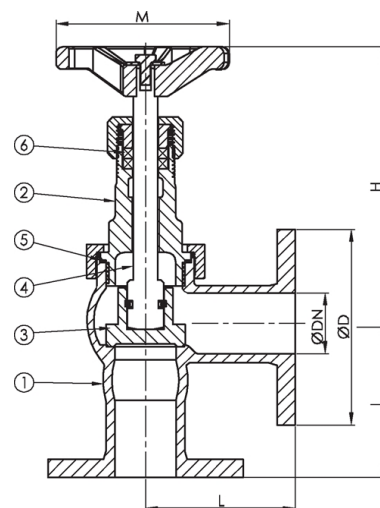
Material

No.	Part	Material
1	Body	Bronze CC491K (RG5)
2	Bonnet	Bronze CC491K (RG5)
3	Disc	Bronze CC491K (RG5)
4	Stem	Special brass CW710R (SoMs59)
5	Gasket	PTFE
6	Gland	Brass CW614N (Ms58)



Max. working pressure (bar) at °C

DN	Connection	up to 120°C	up to 225°C (steam up to 180°C)
10 - 80	PN 16	16	10



Stop valve

DN	Pressure rating	Connection	L	D	H	M	Weight (kg)	Color	Item no.
10	PN 16	PN 16	65	90	86	60	1.4	Unpainted	41150
15	PN 16	PN 16	65	95	86	60	1.8	Unpainted	92524
20	PN 16	PN 16	70	105	100	80	2.1	Unpainted	81004
25	PN 16	PN 16	75	115	105	80	2.6	Unpainted	80345
32	PN 16	PN 16	90	140	120	90	4.2	Unpainted	80346
40	PN 16	PN 16	100	150	135	100	5.2	Unpainted	81520
50	PN 16	PN 16	105	165	150	120	7.5	Unpainted	81135
65	PN 16	PN 16	115	185	210	160	11.0	Unpainted	90643
80	PN 16	PN 16	125	200	230	200	15.0	Unpainted	80839

All measurements in mm. Weights are approximations.



SDNR disc

DN	Pressure rating	Connection	L	D	H	M	Weight (kg)	Color	Item no.
10	PN 16	PN 16	65	90	86	60	1.4	Unpainted	41151
15	PN 16	PN 16	65	95	86	60	1.8	Unpainted	92525
20	PN 16	PN 16	70	105	100	80	2.1	Unpainted	80344
25	PN 16	PN 16	75	115	105	80	2.6	Unpainted	80993
32	PN 16	PN 16	90	140	120	90	4.2	Unpainted	80347
40	PN 16	PN 16	100	150	135	100	5.2	Unpainted	80348
50	PN 16	PN 16	105	165	150	120	7.5	Unpainted	82121
65	PN 16	PN 16	115	185	210	160	11.0	Unpainted	80349
80	PN 16	PN 16	125	200	230	200	15.0	Unpainted	80350

All measurements in mm. Weights are approximations.