



Globe valve angled type, flanged connection

458922

Description

Globe valve with shut off, regulating or screw down non return (SDNR) function. Angled, rising stem valve with bolted bonnet and metal sealing. For warm sea water it is recommended to use a stem of zinc free bronze, CuSn6.

Specifications

Flange standard:	EN 1092-3
Face to face standard:	EN 558, series 8
Bonnet connection:	Bolted
Execution:	Angled
Connection type:	Flanged
Operation:	Handwheel
Actuation:	Multiturn



Application

For temperatures up to 225°C, steam up to 180°C.

Media

Steam. Fuel oil, lubricating oil and flammable hydraulic oil. Cargo oil. Boiler feedwater, condensate. Seawater and freshwater.

Variants

Regulating disc. CuSn6 stem. Other materials on request.

Options

Spring for SDNR. With indicator.

Material

No.	Part	Dimension	Material
1	Body		Bronze CC491K (RG5)
2	Disc	DN 15-32	Special brass CW710R (SoMs59)
2	Disc	DN 40-500	Bronze CC491K (RG5)
3	Stem		Special brass CW710R (SoMs59)
4	Gasket		Rubber/PTFE fiber composite
5	Bonnet		Bronze CC491K (RG5)

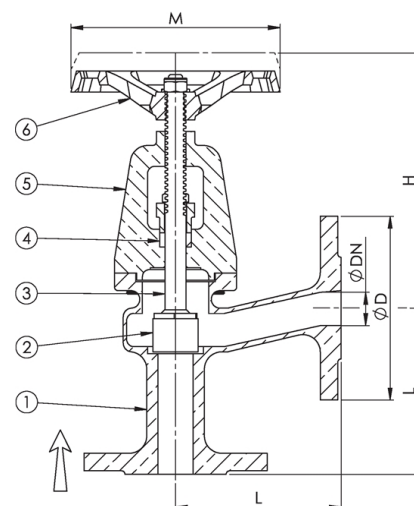


Material

No.	Part	Dimension	Material
6	Handwheel		Cast iron EN-JL1040 (GG25)

Max. working pressure (bar) at °C

DN	Connection	up to 120°C	up to 225°C (steam up to 180°C)
15 - 125	PN 16	16	10
150 - 200	PN 10	10	6
250 - 300	PN 10	6	4
350 - 500	PN 10	4	2



Stop valve

DN	Pressure rating	Connection	L	D	H	M	Weight (kg)	Color	Item no.
15	PN 16	PN 16	90	95	160	100	3.8	Unpainted	41132
20	PN 16	PN 16	95	105	170	100	4.0	Unpainted	80025
25	PN 16	PN 16	100	115	170	100	5.0	Unpainted	91553
32	PN 16	PN 16	105	140	190	125	7.0	Unpainted	81670
40	PN 16	PN 16	115	150	210	160	9.0	Unpainted	91228
50	PN 16	PN 16	125	165	220	160	11.0	Unpainted	81018
65	PN 16	PN 16	145	185	260	200	16.0	Unpainted	91510
80	PN 16	PN 16	155	200	280	200	20.0	Unpainted	90606

All measurements in mm. Weights are approximations.



Stop valve

DN	Pressure rating	Connection	L	D	H	M	Weight (kg)	Color	Item no.
100	PN 16	PN 16	175	220	300	250	25.0	Unpainted	82045
125	PN 16	PN 16	200	250	340	250	40.0	Unpainted	81925
150	PN 10	PN 10	225	285	360	315	50.0	Unpainted	41133
200	PN 10	PN 10	275	340	440	400	95.0	Unpainted	41134
250	PN 6	PN 10	325	395	550	400	155.0	Unpainted	41135
300	PN 6	PN 10	375	445	620	400	225.0	Unpainted	41136
350	PN 4	PN 10	425	505	720	500	360.0	Unpainted	41137
400	PN 4	PN 10	475	565	750	500	400.0	Unpainted	41138
450	PN 4	PN 10	500	615	925	500	650.0	Unpainted	41139
500	PN 4	PN 10	575	670	950	500	800.0	Unpainted	41140

All measurements in mm. Weights are approximations.

SDNR disc

DN	Pressure rating	Connection	L	D	H	M	Weight (kg)	Color	Item no.
15	PN 16	PN 16	90	95	160	100	3.8	Unpainted	81557
20	PN 16	PN 16	95	105	170	100	4.0	Unpainted	81410
25	PN 16	PN 16	100	115	170	100	5.0	Unpainted	81037
32	PN 16	PN 16	105	140	190	125	7.0	Unpainted	41141
40	PN 16	PN 16	115	150	210	160	9.0	Unpainted	90490
50	PN 16	PN 16	125	165	220	160	11.0	Unpainted	81343
65	PN 16	PN 16	145	185	260	200	16.0	Unpainted	41142
80	PN 16	PN 16	155	200	280	200	20.0	Unpainted	92136
100	PN 16	PN 16	175	220	300	250	25.0	Unpainted	80026
125	PN 16	PN 16	200	250	340	250	40.0	Unpainted	92517
150	PN 10	PN 10	225	285	360	315	50.0	Unpainted	92444
200	PN 10	PN 10	275	340	440	400	95.0	Unpainted	41143
250	PN 6	PN 10	325	395	550	400	155.0	Unpainted	41144

All measurements in mm. Weights are approximations.



SDNR disc

DN	Pressure rating	Connection	L	D	H	M	Weight (kg)	Color	Item no.
300	PN 6	PN 10	375	445	620	400	225.0	Unpainted	41145
350	PN 4	PN 10	425	505	720	500	360.0	Unpainted	41146
400	PN 4	PN 10	475	565	750	500	400.0	Unpainted	41147
450	PN 4	PN 10	500	615	925	500	650.0	Unpainted	41148
500	PN 4	PN 10	575	670	950	500	800.0	Unpainted	41149

All measurements in mm. Weights are approximations.