



Globe valve straight type, flanged connection

458822

Description

Globe valve with shut off, regulating or screw down non return (SDNR) function. Straight, rising stem valve with bolted bonnet and metal sealing. For warm sea water it is recommended to use a stem of zinc free bronze, CuSn6.

Specifications

Flange standard:	EN 1092-3
Face to face standard:	EN 558, series 1
Bonnet connection:	Bolted
Execution:	Straight
Connection type:	Flanged
Operation:	Handwheel
Actuation:	Multiturn



Application

For temperatures up to 225°C, steam up to 180°C.

Media

Steam. Fuel oil, lubricating oil and flammable hydraulic oil. Cargo oil. Boiler feedwater, condensate. Seawater and freshwater.

Variants

Regulating disc. CuSn6 stem. Other materials on request.

Options

Spring for SDNR. With indicator.

Material

No.	Part	Dimension	Material
1	Body		Bronze CC491K (RG5)
2	Disc	DN 15-32	Special brass CW710R (SoMs59)
2	Disc	DN 40-500	Bronze CC491K (RG5)
3	Gasket		Rubber/PTFE fiber composite
4	Bonnet		Bronze CC491K (RG5)
5	Stem		Special brass CW710R (SoMs59)

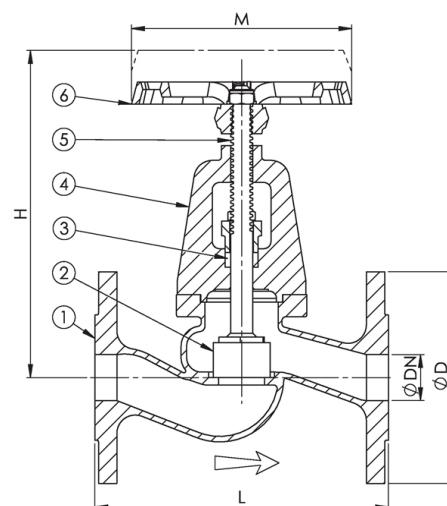


Material

No.	Part	Dimension	Material
6	Handwheel		Cast iron EN-JL1040 (GG25)

Max. working pressure (bar) at °C

DN	Connection	up to 120°C	up to 225°C (steam up to 180°C)
15 - 125	PN 16	16	10
150 - 200	PN 10	10	6
250 - 300	PN 10	6	4
350 - 500	PN 10	4	2



Stop valve

DN	Pressure rating	Connection	L	D	H	M	Weight (kg)	Color	Item no.
15	PN 16	PN 16	130	95	180	100	5.0	Unpainted	81566
20	PN 16	PN 16	150	105	200	100	5.5	Unpainted	80012
25	PN 16	PN 16	160	115	210	100	6.0	Unpainted	80014
32	PN 16	PN 16	180	140	220	125	8.0	Unpainted	80016
40	PN 16	PN 16	200	150	250	160	10.0	Unpainted	80018
50	PN 16	PN 16	230	165	250	160	12.0	Unpainted	80020
65	PN 16	PN 16	290	185	315	200	17.0	Unpainted	80022
80	PN 16	PN 16	310	200	335	200	23.0	Unpainted	89374

All measurements in mm. Weights are approximations.



Stop valve

DN	Pressure rating	Connection	L	D	H	M	Weight (kg)	Color	Item no.
100	PN 16	PN 16	350	220	375	250	30.0	Unpainted	81057
125	PN 16	PN 16	400	250	420	250	50.0	Unpainted	82054
150	PN 10	PN 10	480	285	460	315	65.0	Unpainted	90495
200	PN 10	PN 10	600	340	550	400	110.0	Unpainted	41118
250	PN 6	PN 10	730	395	670	400	165.0	Unpainted	41119
300	PN 6	PN 10	850	445	750	400	295.0	Unpainted	41120
350	PN 4	PN 10	980	505	850	500	480.0	Unpainted	41121
400	PN 4	PN 10	1100	565	910	500	510.0	Unpainted	41122
450	PN 4	PN 10	1200	615	970	500	1150.0	Unpainted	41123
500	PN 4	PN 10	1250	670	1095	500	1300.0	Unpainted	41124

All measurements in mm. Weights are approximations.

SDNR disc

DN	Pressure rating	Connection	L	D	H	M	Weight (kg)	Color	Item no.
15	PN 16	PN 16	130	95	180	100	5.0	Unpainted	81353
20	PN 16	PN 16	150	105	200	100	5.5	Unpainted	80013
25	PN 16	PN 16	160	115	210	100	4.7	Unpainted	80015
32	PN 16	PN 16	180	140	220	125	6.6	Unpainted	80017
40	PN 16	PN 16	200	150	250	160	8.6	Unpainted	80019
50	PN 16	PN 16	230	165	250	160	12.0	Unpainted	80021
65	PN 16	PN 16	290	185	315	200	17.0	Unpainted	80023
80	PN 16	PN 16	310	200	335	200	23.0	Unpainted	89302
100	PN 16	PN 16	350	220	375	250	30.0	Unpainted	80024
125	PN 16	PN 16	400	250	420	250	50.0	Unpainted	90441
150	PN 10	PN 10	480	285	460	315	65.0	Unpainted	90442
200	PN 10	PN 10	600	340	550	400	110.0	Unpainted	41125
250	PN 6	PN 10	730	395	670	400	165.0	Unpainted	41126

All measurements in mm. Weights are approximations.



SDNR disc

DN	Pressure rating	Connection	L	D	H	M	Weight (kg)	Color	Item no.
300	PN 6	PN 10	850	445	750	400	295.0	Unpainted	41127
350	PN 4	PN 10	980	505	850	500	480.0	Unpainted	41128
400	PN 4	PN 10	1100	565	910	500	510.0	Unpainted	41129
450	PN 4	PN 10	1200	615	970	500	1150.0	Unpainted	41130
500	PN 4	PN 10	1250	670	1095	500	1300.0	Unpainted	41131

All measurements in mm. Weights are approximations.