



Globe valve straight type, flanged connection

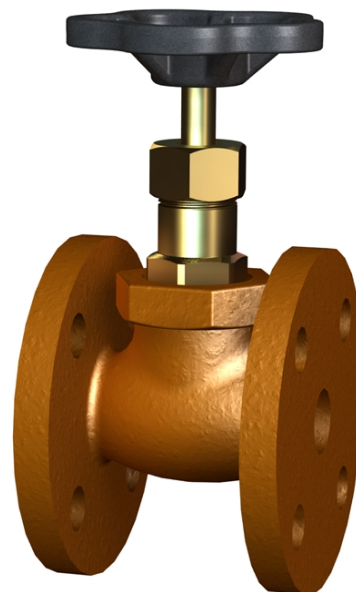
456322

Description

Globe valve with shut off or screw down non return (SDNR) function. Straight, rising stem type with flanged ends, screwed and secured bonnet as well as metal sealing. For warm sea water it is recommended to use a stem of zinc free bronze, CuSn6.

Specifications

Flange standard:	EN 1092-3
Bonnet connection:	Screwed, Secured
Execution:	Straight
Connection type:	Flanged
Operation:	Handwheel
Actuation:	Multiturn



Application

For temperatures up to 225°C, steam up to 180°C.

Media

Steam. Fuel oil, lubricating oil and flammable hydraulic oil. Boiler feedwater, condensate. Seawater and freshwater.

Variants

Regulating disc. CuSn6 stem.

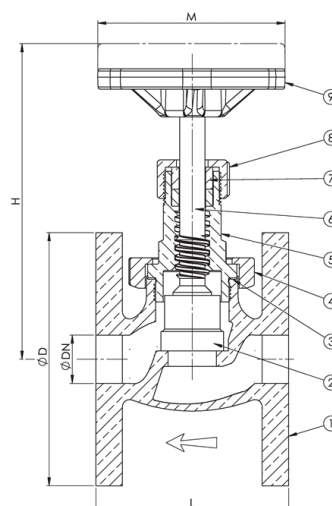
Material

No.	Part	Material
1	Body	Bronze CC491K (RG5)
2	Disc	Bronze CC491K (RG5)
3	Gasket	PTFE
4	Locking nut	Bronze CC491K (RG5)
5	Bonnet	Bronze CC491K (RG5)
6	Stem	Special brass CW710R (SoMs59)
7	Gland	Brass CW614N (Ms58)
8	Gland nut	Brass CW614N (Ms58)
9	Handwheel	Cast iron EN-JL1040 (GG25)



Max. working pressure (bar) at °C

DN	Connection	up to 120°C	up to 225°C (steam up to 180°C)
10 - 100	PN 16	16	10



Stop valve

DN	Pressure rating	Connection	L	D	H	M	Weight (kg)	Color	Item no.
10	PN 16	PN 16	70	90	95	60	1.4	Unpainted	41544
15	PN 16	PN 16	70	95	95	60	1.8	Unpainted	80314
20	PN 16	PN 16	80	105	110	80	2.1	Unpainted	80316
25	PN 16	PN 16	90	115	115	80	2.6	Unpainted	80319
32	PN 16	PN 16	105	140	135	90	4.2	Unpainted	80321
40	PN 16	PN 16	120	150	145	100	5.2	Unpainted	80324
50	PN 16	PN 16	140	165	165	120	7.5	Unpainted	80326
65	PN 16	PN 16	180	185	230	160	11.0	Unpainted	80328
80	PN 16	PN 16	200	200	250	200	15.0	Unpainted	80881
100	PN 16	PN 16	230	220	260	200	21.0	Unpainted	87085

All measurements in mm. Weights are approximations.



SDNR disc with spring

DN	Pressure rating	Connection	L	D	H	M	Weight (kg)	Color	Item no.
10	PN 16	PN 16	70	90	95	60	1.4	Unpainted	90636
15	PN 16	PN 16	70	95	95	60	1.8	Unpainted	80315
20	PN 16	PN 16	80	105	110	80	2.1	Unpainted	80317
25	PN 16	PN 16	90	115	115	80	2.6	Unpainted	80320
32	PN 16	PN 16	105	140	135	90	4.2	Unpainted	80322
40	PN 16	PN 16	120	150	145	100	5.2	Unpainted	80325
50	PN 16	PN 16	140	165	165	120	7.5	Unpainted	80327
65	PN 16	PN 16	180	185	230	160	11.0	Unpainted	80329
80	PN 16	PN 16	200	200	250	200	15.0	Unpainted	80861
100	PN 16	PN 16	230	220	260	200	21.0	Unpainted	90901

All measurements in mm. Weights are approximations.