



# Globe valve 456022

## DESCRIPTION

Screw-down stop valve. Secured bonnet. Metal sealing.

## APPLICATION

Water, saturated steam, oil and other non aggressive liquids. For warm sea water it is recommended to use a stem of zinkfree bronze, CuSn6.

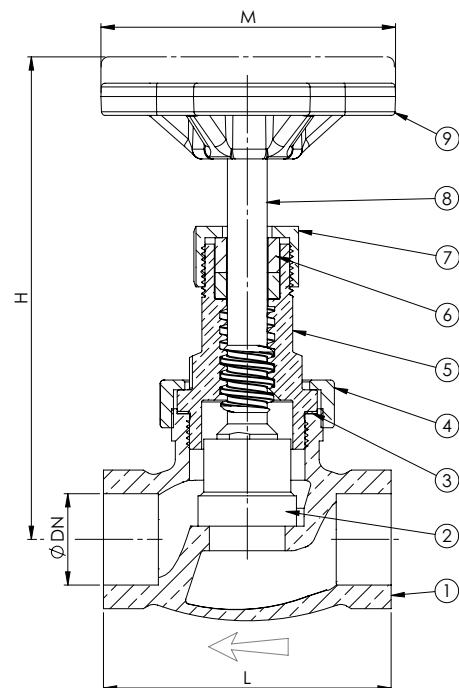
## VARIANTS

SDNR disc. Regulating disc.



No.	Part	Material
1	Body	Bronze CC491K (RG5)
2	Disc	(DN 8-50) Bronze CC493K (RG7) (DN 65-80) Bronze CC491K (RG5)
3	Sealing	PTFE
4	Locking nut	Bronze CC491K (RG5)
5	Bonnet	(DN 8-32) Bronze CC493K (RG7) (DN 40-80) Bronze CC491K (RG5)
6	Gland	Brass CW614N (Ms 58)
7	Gland nut	Brass CW614N (Ms 58)
8	Stem	Special brass CW710R (SoMs59)
9	Handwheel	Cast iron EN-JL1040 (GG25)

DN	Max. working pressure (bar)	
	Up to 120°C	225°C (steam up to 180°C)
8-80	16	10



DN	Connection (BSP)	Pressure rating	L	H	M	Kg
8	G 1/4"	PN 16	60	95	60	0,4
10	G 3/8"	PN 16	60	95	60	0,5
15	G 1/2"	PN 16	65	95	60	0,5
20	G 3/4"	PN 16	75	110	80	0,7
25	G 1"	PN 16	90	115	80	1,2
32	G 1 1/4"	PN 16	105	135	90	1,6
40	G 1 1/2"	PN 16	120	145	100	2,3
50	G 2"	PN 16	145	165	120	3,4
65	G 2 1/2"	PN 16	170	230	160	7
80	G 3"	PN 16	200	250	200	12

All measurements in mm. Weights are approximations.