



Overboard valve 454002

3

DESCRIPTION

Overboard valve with adjustable counter pressure.
Face to face according to EN 558, series 1.

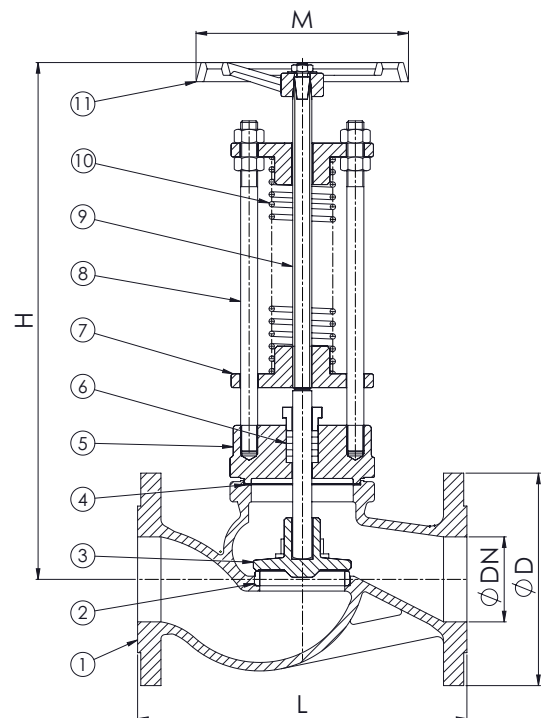
VARIANTS

Regulating disc.



No.	Part	Material
1	Body	Nodular cast iron EN-JS1025 (GGG40.3)
2	Seat	Bronze CC491K (RG5)
3	Disc	(≤ DN 65) Bronze CC491K (RG5) (≥ DN 80) Nodular cast iron EN-JS1025 (GGG40.3)
3	Disc nut	Bronze CC491K (RG5)
4	Bonnet gasket	Graphite
5	Bonnet	Nodular cast iron EN-JS1025 (GGG40.3)
6	Gland packing	Graphite
7	Bridge	Nodular cast iron EN-JS1025 (GGG40.3)
8	Columns	Stainless steel 1.4021 (AISI 420)
9	Stem	Special brass CW710R (SoMs59)
10	Spring	Spring steel SH
11	Handwheel	Cast iron EN-JL1040 (GG25)

DN	Max. working pressure (bar)	
	up to 120°C	180°C
15-125	16	10
150-200	10	6
250-300	6	4
350-500	4	2



DN	Connection	Pressure rating	L	D	H	M	Kg
15	PN 16	PN 16	130	95	251	120	4
20	PN 16	PN 16	150	105	251	120	4,5
25	PN 16	PN 16	160	115	265	140	5
32	PN 16	PN 16	180	140	280	140	8
40	PN 16	PN 16	200	150	350	160	12

All measurements in mm. Flanges according to EN 1092-2/B. Weights are approximations.

Revision 1



DN	Connection	Pressure rating	L	D	H	M	Kg
50	PN 16	PN 16	230	165	373	160	13
65	PN 16	PN 16	290	185	400	180	18
80	PN 16	PN 16	310	200	490	200	24
100	PN 16	PN 16	350	220	522	225	37
125	PN 16	PN 16	400	250	618	250	58
150	PN 10	PN 10	480	285	750	300	85
200	PN 10	PN 10	600	340	810	400	142
250	PN 10	PN 6	730	395	950	520	180
300	PN 10	PN 6	850	445	1007	520	360
350	PN 10	PN 4	980	505	1000	640	530
400	PN 10	PN 4	1100	565	1105	640	680
450	PN 10	PN 4	1200	615	1200	640	950
500	PN 10	PN 4	1250	670	1260	640	1150

All measurements in mm. Flanges according to EN 1092-2/B. Weights are approximations.