



Ball valve short type 446152

Description

Ball valve is mainly used as shut off in liquid systems where it is a need for high flow. Quarterturn operation. Full bore. Flanges drilled according to PN 16.

Specifications

Execution:	Straight
Connection type:	Flanged
Operation:	Lever
Actuation:	Quarterturn



Media

Fuel oil, lubricating oil and flammable hydraulic oil. Cargo oil. Air. Gas.
Non-flammable hydraulic fluid. Boiler feedwater, condensate.
Seawater and freshwater.

Variants

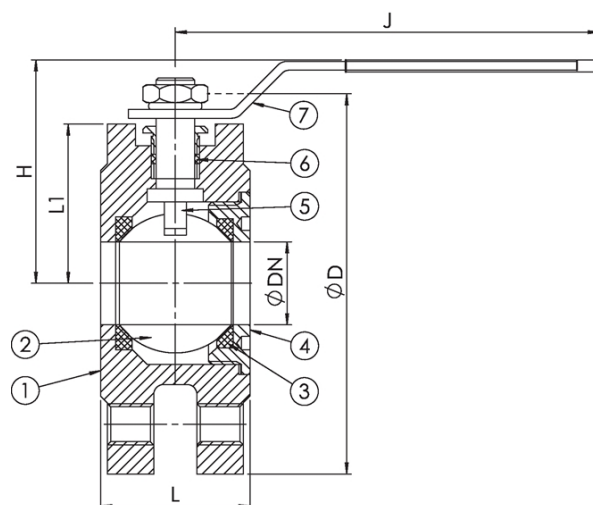
Other materials on request.

Material

No.	Part	Dimension	Material
1	Body		Cast iron EN-JL1040 (GG25)
2	Ball		Brass CW617N (Ms58 NiCr) nickel chrome plated
3	Ball seat		PTFE/Graphite
4	Cap	DN 20-50	Brass CW617N (Ms58)
4	Cap	DN 65-100	Cast iron EN-JL1040 (GG25)
5	Stem		Brass CW617N (Ms58)
6	O-ring		NBR
7	Handle		Steel 1.0114 (St37)

Max. working pressure (bar) at °C

DN	Connection	-10°C to +100°C
20 - 100	PN 16	16



Items

DN	Pressure rating	Connection	L	D	L1	H	J	Weight (kg)	Color	Item no.
20	PN 16	PN 16	40	105	61	85	130	0.8	Blue RAL 5002	90166
25	PN 16	PN 16	50	115	69	95	170	1.3	Blue RAL 5002	87023
32	PN 16	PN 16	55	140	73	100	170	1.9	Blue RAL 5002	90168
40	PN 16	PN 16	65	150	88	118	220	2.4	Blue RAL 5002	90169
50	PN 16	PN 16	80	165	96	125	220	3.1	Blue RAL 5002	90170
65	PN 16	PN 16	100	185	120	152	284	5.2	Blue RAL 5002	90171
80	PN 16	PN 16	120	200	136	166	284	8.5	Blue RAL 5002	90172
100	PN 16	PN 16	130	220	150	180	360	12.0	Blue RAL 5002	90173

All measurements in mm. Weights are approximations.