



Ball valve 445122

DESCRIPTION

Face to face dimensions according to EN 558, series 14/15.
Flanges according to PN 16, drilled.
Full bore.

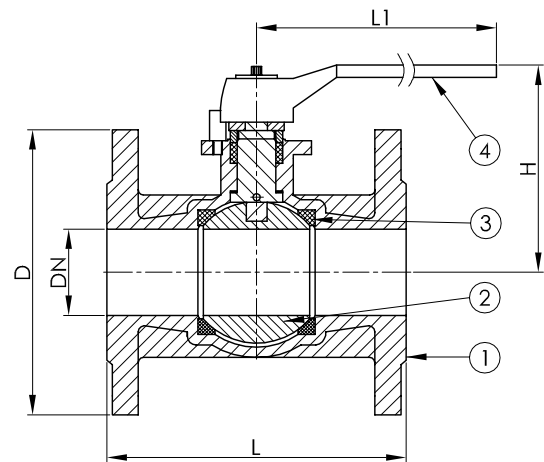
APPLICATION

Liquids, steam and gases that do not attack the integral material.



No.	Part	Material
1	Body	Bronze CC491K (RG5)
2	Ball	Brass CW617N (Ms 58) Hard chrome
3	Ball seat	PTFE/Graphite
4	Handle	Steel 1.0114 (St37)

DN	Max. working pressure (bar)
	-10 to +90°C
20-200	16



DN	Connection	Pressure rating	L	L1	D	H	Kg
20	PN 16	PN 16	120	130	105	85	2,7
25	PN 16	PN 16	125	170	115	95	3,6
32	PN 16	PN 16	130	170	140	100	4,8
40	PN 16	PN 16	140	220	150	118	6,2
50	PN 16	PN 16	150	220	165	125	9
65	PN 16	PN 16	170	284	185	152	12
80	PN 16	PN 16	180	284	200	166	16
100	PN 16	PN 16	190	360	220	180	20
125	PN 16	PN 16	200	447	250	225	28
150	PN 16	PN 16	210	560	285	242	39
200	PN 16	PN 16	400	1000	340	320	93

All measurements in mm. Flanges according to ISO 7005-2. Weights are approximations.