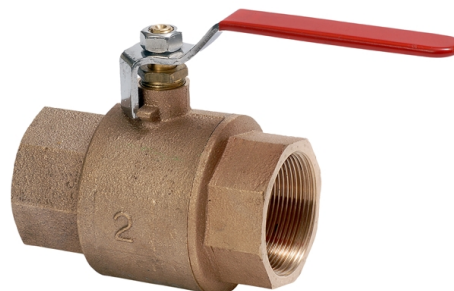




Ball valve, threaded connection 443024

Description

Ball valve is mainly used as shut off in liquid systems where it is a need for high flow. Quarterturn operation. Valve with enlarged grip area for easy installation and with female threaded ends. Full bore.



Specifications

Execution:	Straight
Connection type:	Threaded female
Operation:	Lever
Actuation:	Quarterturn

Media

Fuel oil, lubricating oil and flammable hydraulic oil. Cargo oil. Air. Gas.
Non-flammable hydraulic fluid. Boiler feedwater, condensate.
Seawater and freshwater.

Variants

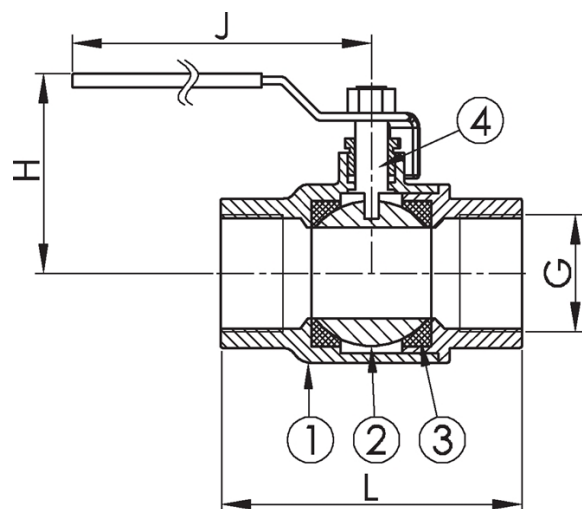
Other materials on request.

Material

No.	Part	Dimension	Material
1	Body		Bronze CC491K (RG5)
2	Ball		Brass CW617N (Ms58 NiCr) nickel chrome plated
3	Seat ring		PTFE
4	Stem		Brass CW614N (Ms58)
5	Lever	DN 8-65	Stainless steel 1.4301 (AISI304)
5	Lever	DN 80-100	Galvanized steel

Max. working pressure (bar) at °C

DN	up to 120°C
8 - 100	32



Ball valve measurement drawing

Items

DN	Pressure rating	L	G (BSP)	H	J	Weight (kg)	Item no.
8	PN 32	51	G 1/4"	47.5	85	0.2	80880
10	PN 32	51	G 3/8"	47.5	85	0.2	80522
15	PN 32	62	G 1/2"	45	85	0.3	80523
20	PN 32	70	G 3/4"	57.5	104	0.4	80524
25	PN 32	85	G 1"	57.5	104	0.6	80838
32	PN 32	99	G 1 1/4"	75	122	1.0	80525
40	PN 32	110	G 1 1/2"	77.5	122	1.3	80526
50	PN 32	134	G 2"	93	153	2.4	80529
65	PN 32	142	G 2 1/2"	119.5	200	3.5	81387
80	PN 32	178	G 3"	134	280	6.0	80527
100	PN 32	210	G 4"	153.5	280	9.0	41343

All measurements in mm. Weights are approximations.