



Gland cock 403521

APPLICATION

Liquids, steam and gases that do not attack the integral material.

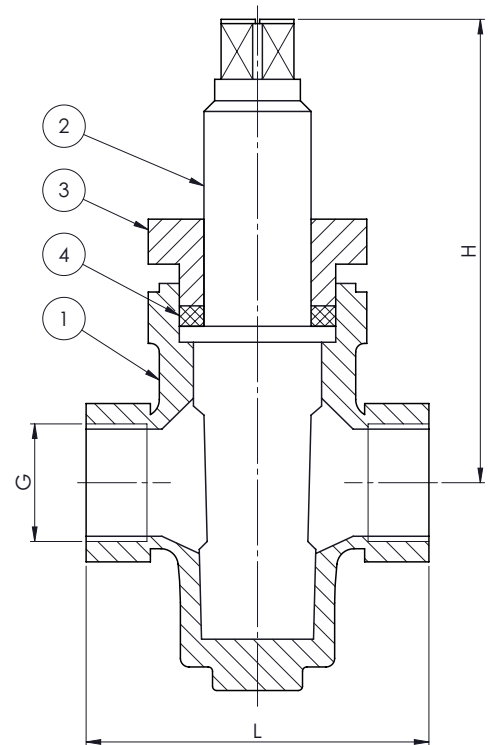
OPTION

Special sealing material for compressed air, oil and high fluid liquids.



No.	Part	Material
1	Body	Bronze CC491K (RG5)
2	Plug	Bronze CC491K (RG5)
3	Gland	Bronze CC491K (RG5)
4	Sealing	Cotton

DN	Max. working pressure (bar)
	Up to 120°C
10-80	10



DN	G (BSP)	Pressure rating	L	H	Kg
10	G 3/8"	PN 10	45	60	0,5
15	G 1/2"	PN 10	55	68	0,5
20	G 3/4"	PN 10	65	77	0,8
25	G 1"	PN 10	80	90	1,2
32	G 1 1/4"	PN 10	90	100	1,8
40	G 1 1/2"	PN 10	100	110	2,6
50	G 2"	PN 10	120	127	3,8
65	G 2 1/2"	PN 10	140	145	6,5
80	G 3"	PN 10	165	165	11

All measurements in mm. Weights are approximations.

Revision 1