



# Gate valve with indicator, flanged connection

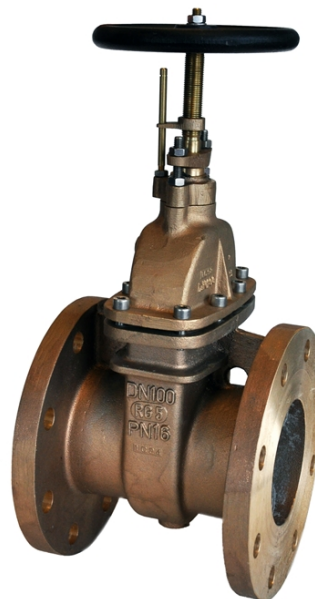
## 401422

### Description

Gate valve used as shut off in cooling, sea water and shipside applications. Multiturn operation. Non-rising stem. For warm sea water it is recommended to use a stem of zinc free bronze, CuSn6. With position indicator.

### Specifications

Flange standard:	EN 1092-3
Face to face standard:	EN 558, series 14
Bonnet connection:	Bolted
Execution:	Straight
Connection type:	Flanged
Operation:	Gear box, Handwheel
Actuation:	Multiturn



### Media

Steam. Thermal oil. Fuel oil, lubricating oil and flammable hydraulic oil.  
Cargo oil. Non-flammable hydraulic fluid. Boiler feedwater, condensate. Seawater and freshwater.

### Variants

CuSn6 stem.

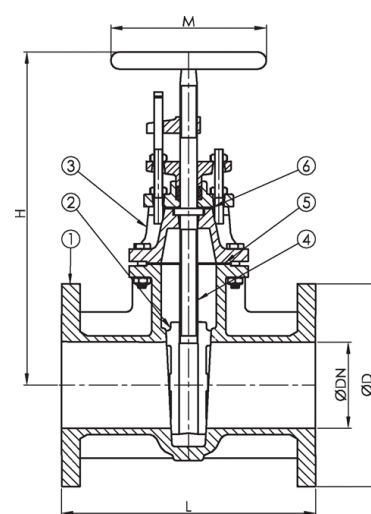
### Material

No.	Part	Material
1	Body	Bronze CC491K (RG5)
2	Wedge	Bronze CC491K (RG5)
3	Bonnet	Bronze CC491K (RG5)
4	Stem	Special brass CW710R (SoMs59)
5	Body sealing	NBR bonded aramid
6	Bonnet sealing	NBR bonded aramid



## Max. working pressure (bar) at °C

DN	Connection	up to 120°C	up to 225°C (steam up to 180°C)
25 - 100	PN 16	16	10
125 - 150	PN 10	10	6
200 - 250	PN 10	6	4
300	PN 10	4	2



## Items

DN	Pressure rating	Connection	L	D	H	M	Weight (kg)	Color	Item no.
25	PN 16	PN 16	125	115	170	120	5.5	Unpainted	41081
32	PN 16	PN 16	130	140	185	120	7.8	Unpainted	81987
40	PN 16	PN 16	140	150	240	120	11.0	Unpainted	81147
50	PN 16	PN 16	150	165	255	120	12.0	Unpainted	80280
65	PN 16	PN 16	170	185	295	160	17.0	Unpainted	80282
80	PN 16	PN 16	180	200	315	160	21.0	Unpainted	80283
100	PN 16	PN 16	190	220	345	160	28.0	Unpainted	80281
125	PN 10	PN 10	200	250	400	200	36.0	Unpainted	80284
150	PN 10	PN 10	210	285	430	200	46.0	Unpainted	80286
200	PN 6	PN 10	230	340	530	250	62.0	Unpainted	92387
250	PN 6	PN 10	250	395	635	250	96.0	Unpainted	41082

All measurements in mm. Weights are approximations.



## Items

DN	Pressure rating	Connection	L	D	H	M	Weight (kg)	Color	Item no.
300	PN 4	PN 10	270	445	725	250	140.0	Unpainted	41083

*All measurements in mm. Weights are approximations.*