



Push button drain valve, flanged connection

357321

Description

Drain valve, a mechanical device with push-button operation. Valve can be locked in closed position. Metal sealing.

Specifications

Flange standard:	EN 1092-3
Execution:	Angled
Connection type:	Flanged, Threaded female

Media

Fuel oil, lubricating oil and flammable hydraulic oil. Cargo oil. Non-flammable hydraulic fluid. Boiler feedwater, condensate. Seawater and freshwater.

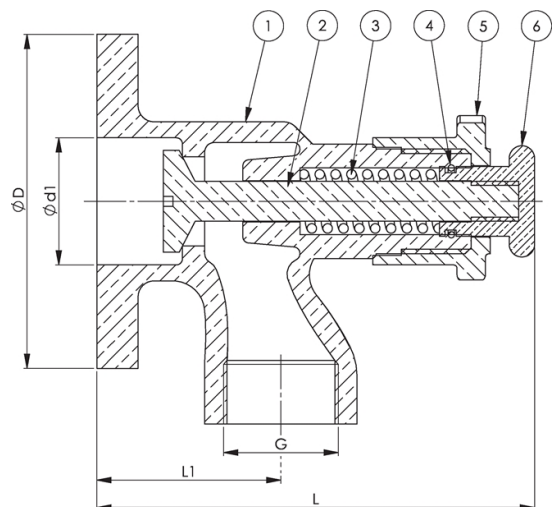


Material

No.	Part	Material
1	Body	Bronze CC491K (RG5)
2	Stem	Special brass CW710R (SoMs59)
3	Compression spring	Tin bronze CW452K (CuSn6)
4	O-ring	NBR
5	Stop	Bronze CC491K (RG5)
6	Push button	Brass CW614N (Ms58)

Max. working pressure (bar) at °C

DN	Connection	up to 80°C
20 - 25	PN 10	10



Items

DN	Pressure rating	Connection	L	G (BSP)	D	d1	L1	Weight (kg)	Item no.
20	PN 10	PN 10	145	G 1"	105	40	60	2.2	80933
25	PN 10	PN 10	145	G 1"	115	40	60	2.3	80276

All measurements in mm. Weights are approximations.