



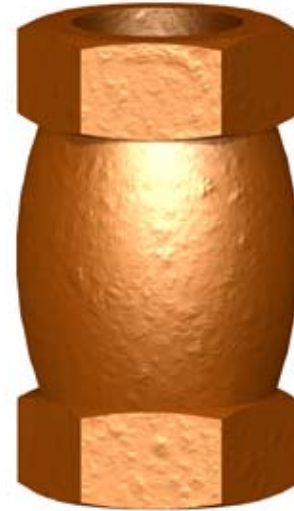
Check valve 320022

DESCRIPTION

Check valve with female screwed ends. For installation in vertical lines (upwards flow).

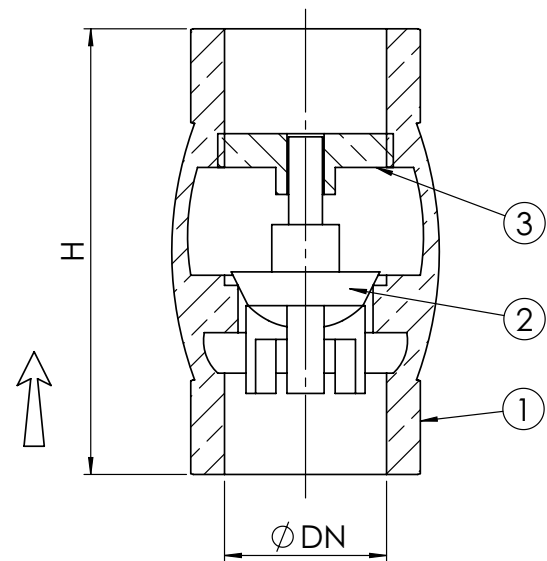
APPLICATION

Liquids, steam and gases that do not attack the integral material.



No.	Part	Material
1	Body	Bronze CC491K (RG5)
2	Disc	Bronze CC491K (RG5)
3	Nut	Brass CW607N (Ms 58)

DN	Max. working pressure (bar)	
	up to 120°C	185°C
10-50	16	10



DN	Connection (BSP)	Pressure rating	H	Kg
10	G 3/8"	PN 16	50	0,1
15	G 1/2"	PN 16	60	0,2
20	G 3/4"	PN 16	70	0,4
25	G 1"	PN 16	80	0,6
32	G 1 1/4"	PN 16	90	0,9
40	G 1 1/2"	PN 16	100	1,3
50	G 2"	PN 16	110	2

All measurements in mm. Weights are approximations.