



Swing check valve 305852

DESCRIPTION

Flanged swing check valve for liquids, steam and gases that do not attack the integral material. With low resistance and tight closing at low pressure. For horizontal and vertical (upwards flow) installation.

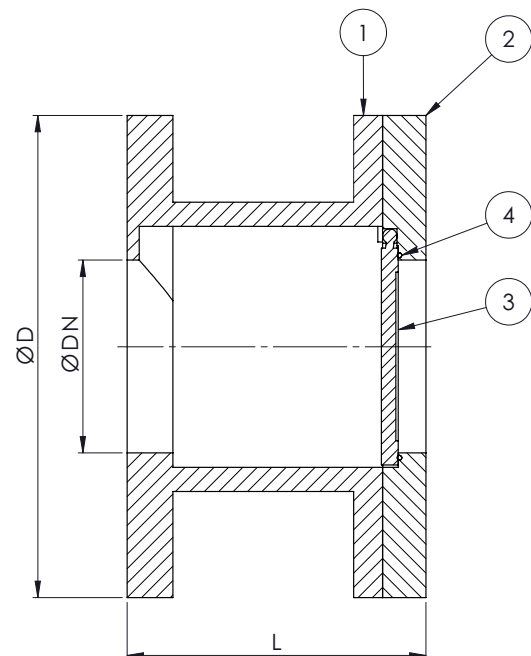
OPTIONS

Other O-ring materials, see table.



No.	Part	Material
1	Body	Cast iron EN-JL1040 (GG25)
2	Body	Cast iron EN-JL1040 (GG25)
3	Clapper	Stainless steel 1.4301 (AISI 304)
4	O-ring	NBR

Temperature range for o-ring materials:	
NBR	-40°C to +100°C
FKM	-30°C to +200°C
PTFE	-50°C to +220°C



DN	Connection	Pressure rating	L	D	Kg
15	PN 16	PN 16	65	95	2,1
20	PN 16	PN 16	65	105	2,5
25	PN 16	PN 16	70	115	3
32	PN 16	PN 16	75	140	5
40	PN 16	PN 16	80	150	6
50	PN 16	PN 16	85	165	7
65	PN 16	PN 16	105	185	9
80	PN 16	PN 16	125	200	11
100	PN 16	PN 16	145	220	16
125	PN 16	PN 16	170	250	21
150	PN 16	PN 16	200	285	29
200	PN 10	PN 10	255	340	44
250	PN 10	PN 10	310	395	64
300	PN 10	PN 10	360	445	79

All measurements in mm. Weights are approximations.

Revision 1