



Swing check valve wafer type 305072

Description

Wafer type swing check valve, for installation between flanges
PN10/PN16.

Specifications Operation: Automatic

Media

Steam. Fuel oil, lubricating oil and flammable hydraulic oil. Cargo oil.
Seawater and freshwater.

Variants

O-ring material FPM/FKM (-30°C to +180°C) or PTFE (-50°C to +220°C).



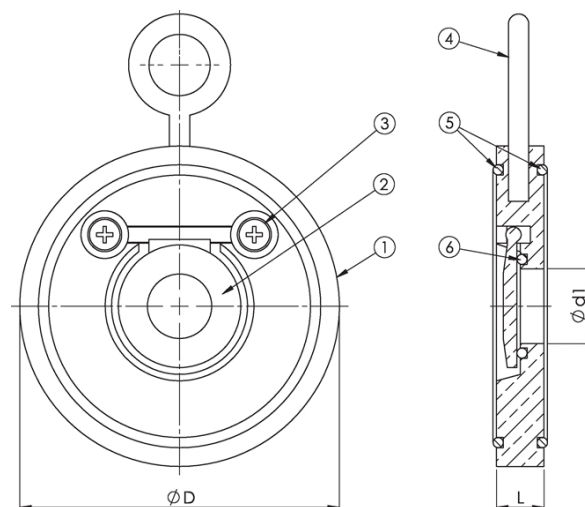
305072 Swich check valve product image

Material

No.	Part	Material
1	Body	Aluminium bronze CC333G (AB2)
2	Disc	Aluminium bronze CC333G (AB2)
3	Bolt	Stainless steel 1.4436 (AISI316)
4	Eye bolt	8.8 FZB
5	O-ring	NBR
6	O-ring	NBR

Max. working pressure (bar) at °C

DN	Connection	-40°C to +95°C
40 - 200	PN 16	16
250 - 500	PN 10	10



Items

DN	Pressure rating	Connection	L	D	d1	Weight (kg)	Color	Item no.
40	PN 16	PN 16	14	94	22	0.7		82003
50	PN 16	PN 16	14	109	32	0.9		82004
65	PN 16	PN 16	14	129	43	1.2		82005
80	PN 16	PN 16	14	144	54	1.5		82006
100	PN 16	PN 16	18	164	72	2.3		82007
125	PN 16	PN 16	18	194	92	3.3		82008
150	PN 16	PN 16	20	220	114	4.6		82009
200	PN 16	PN 16	22	275	155	7.8		82010
250	PN 10	PN 10	26	330	201	13.0		82011
300	PN 10	PN 10	32	380	240	20.0		82012
350	PN 10	PN 10	38	440	270	32.0		82013
400	PN 10	PN 10	44	493	311	46.0		41048
450	PN 10	PN 10	50	543	361	63.0		41049
500	PN 10	PN 10	56	598	405	88.0		92083
40	PN 16	ANSI 150	14	86	22	0.5	Unpainted	20067
50	PN 16	ANSI 150	14	105	32	0.8	Unpainted	20068
65	PN 16	ANSI 150	14	124	43	1.1	Unpainted	20069
80	PN 16	ANSI 150	14	137	54	1.3	Unpainted	20070

All measurements in mm. Weights are approximations.



Items

DN	Pressure rating	Connection	L	D	d1	Weight (kg)	Color	Item no.
100	PN 16	ANSI 150	18	175	72	2.7	Unpainted	20071
125	PN 16	ANSI 150	18	194	92	3.3	Unpainted	20072
150	PN 16	ANSI 150	20	220	114	4.6	Unpainted	20073
200	PN 16	ANSI 150	22	275	155	7.8	Unpainted	20074

All measurements in mm. Weights are approximations.