



# Swing check valve, threaded connection

## 304422

### Description

Swing check valve with metal sealing, female screwed ends and screwed cover.

### Specifications

Bonnet connection:	Screwed
Execution:	Straight
Connection type:	Threaded female



### Application

Also for installation in vertical pipelines. Upwards flow only.

### Media

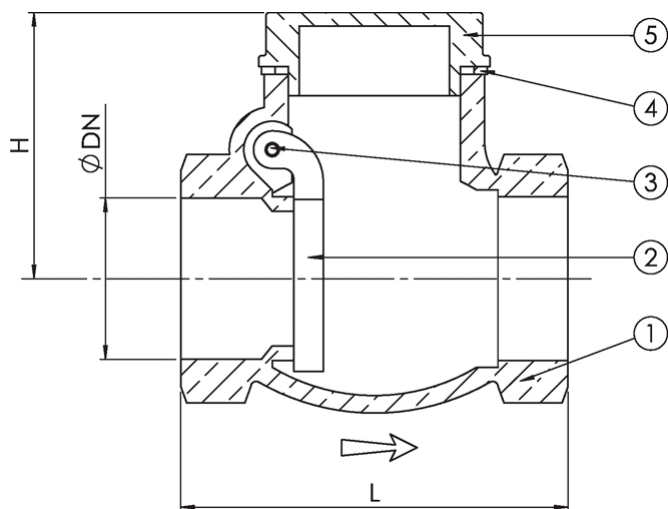
Fuel oil, lubricating oil and flammable hydraulic oil. Cargo oil. Boiler feedwater, condensate. Seawater and freshwater.

### Material

No.	Part	Dimension	Material
1	Body		Bronze CC491K (RG5)
2	Disc		Brass CW617N (Ms58)
3	Shaft		Brass CW614N (Ms58)
4	Gasket	DN 10-25	NBR
4	Gasket	DN 32-100	PTFE
5	Cap	DN 10-15	Brass CW614N (Ms58)
5	Cap	DN 20-100	Brass CW617N (Ms58)

### Max. working pressure (bar) at °C

DN	up to 95°C
10 - 100	16



## Items

DN	Pressure rating	Connection (BSP)	L	H	Weight (kg)	Color	Item no.
10	PN 16	G 3/8"	49	31	0.2	Unpainted	41046
15	PN 16	G 1/2"	55	36	0.2	Unpainted	91165
20	PN 16	G 3/4"	62	43	0.3	Unpainted	80516
25	PN 16	G 1"	72	49	0.5	Unpainted	80517
32	PN 16	G 1 1/4"	82	57	0.7	Unpainted	80518
40	PN 16	G 1 1/2"	90	63	0.8	Unpainted	80519
50	PN 16	G 2"	105	69	1.3	Unpainted	80520
65	PN 16	G 2 1/2"	125	82	2.0	Unpainted	81707
80	PN 16	G 3"	144	91	3.0	Unpainted	90323
100	PN 16	G 4"	176	123	5.0	Unpainted	41047

All measurements in mm. Weights are approximations.