



Storm valve straight type 159801

Description

Storm valve is used in shipside applications, as a self closing check valve and is multiturn operated.

Specifications

Flange standard:	EN 1092-2
Face to face standard:	EN 558, series 48
Bonnet connection:	Bolted
Execution:	Straight
Connection type:	Flanged
Operation:	Handwheel
Actuation:	Multiturn



New storm valve straight

Application

Discharge of sewage water. For vertical installation.

Media

Seawater and freshwater.

Variants

Other materials on request.

Options

Actuators.

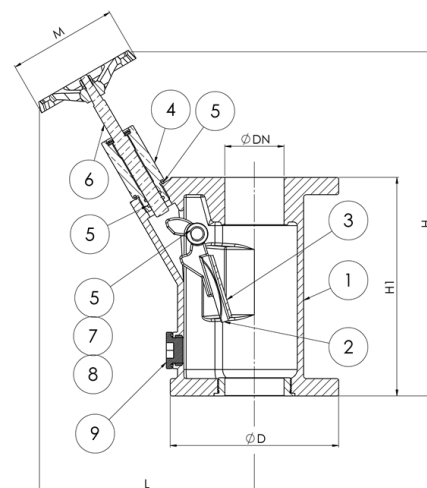
Material

No.	Part	Material
1	Body	Ductile iron EN-JS1030 (GGG40)
2	Disc	Ductile iron EN-JS1030 (GGG40)
3	Disc sealing	NBR
4	Sleeve	Brass CW614N (Ms58)
5	Sealing	NBR
6	Stem	Brass CW614N (Ms58)
7	Shaft	Brass CW614N (Ms58)
8	Spring	Stainless steel 1.4310 (AISI301)



Material

No.	Part	Material
9	Plug	Zinc plated steel



Storm Valve Straight, measurement drawing

Items

DN	Pressure rating	Connection	L	D	H	H1	M	Weight (kg)	Color	Item no.
50	PN 4	PN 10	223	165	330	200	120	10.8	Red RAL 3011	36428
65	PN 4	PN 10	232	185	369	240	120	13.9	Red RAL 3011	36429
80	PN 4	PN 10	263	200	416	260	120	16.9	Red RAL 3011	36430
100	PN 4	PN 10	271	220	428	300	140	21.2	Red RAL 3011	36431
125	PN 4	PN 10	284	250	475	350	140	27.9	Red RAL 3011	36432
150	PN 4	PN 10	304	285	530	400	140	35.1	Red RAL 3011	36433

All measurements in mm. Weights are approximations.