



# Storm valve 159721

## DESCRIPTION

Face to face according to EN 558 series 48.

## APPLICATION

Discharge of sewage water. For vertical installation.

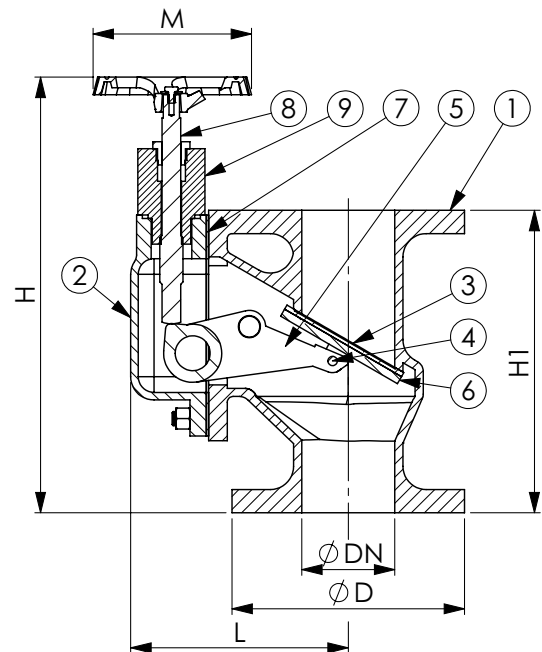
## OPTION

With indicator.



No.	Part	Material
1	Body	Bronze CC491K (RG5)
2	Bonnet	Bronze CC491K (RG5)
3	Sealing	NBR
4	Pin	Stainless steel 1.4401 (AISI 316)
5	Lever	Bronze CC491K (RG5)
6	Disc	Bronze CC491K (RG5)
7	Gasket	NBR
8	Stem	Brass CW614N (Ms 58)
9	Stem nut	Brass CW614N (Ms 58)

DN	Max. working pressure (bar)
	-10 to +60°C
50-200	4



DN	Connection	Pressure rating	L	H	H1	D	M	Kg
50	PN 10	PN 4	137	280	200	165	140	15
65	PN 10	PN 4	148	340	240	185	140	21
80	PN 10	PN 4	174	360	260	200	140	27
100	PN 10	PN 4	195	445	300	220	140	37
125	PN 10	PN 4	216	485	350	250	160	50
150	PN 10	PN 4	242	550	400	285	160	71
200	PN 10	PN 4	310	620	500	340	160	116

All measurements in mm. DIN flanges according to EN 1092-3/A (DIN 2501). Weights are approximations.