



Storm valve straight type 159701

Description

Storm valve is used in shipside applications, as a self closing check valve and is multiturn operated.

Specifications

| | |
|------------------------|-------------------|
| Flange standard: | EN 1092-2 |
| Face to face standard: | EN 558, series 48 |
| Bonnet connection: | Bolted |
| Execution: | Straight |
| Connection type: | Flanged |
| Operation: | Handwheel |
| Actuation: | Multiturn |



Application

Discharge of sewage water. For vertical installation.

Media

Seawater and freshwater.

Variants

Other dimensions on request.

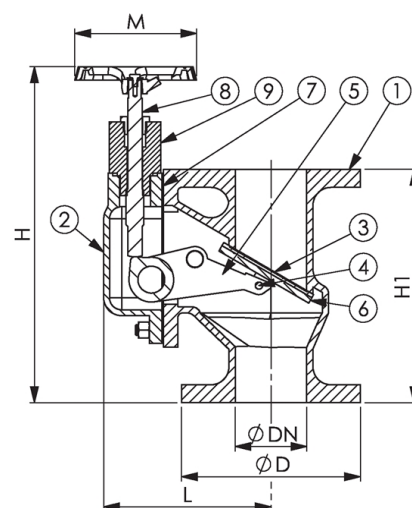
Material

| No. | Part | Material |
|-----|----------|----------------------------------|
| 1 | Body | Ductile iron EN-JS1025 (GGG40.3) |
| 2 | Bonnet | Ductile iron EN-JS1025 (GGG40.3) |
| 3 | Sealing | NBR |
| 4 | Pin | Stainless steel 1.4401 (AISI316) |
| 5 | Lever | Ductile iron EN-JS1025 (GGG40.3) |
| 6 | Disc | Bronze CC491K (RG5) |
| 7 | Gasket | NBR |
| 8 | Stem | Brass CW614N (Ms58) |
| 9 | Stem nut | Brass CW614N (Ms58) |



Max. working pressure (bar) at °C

| DN | Connection | -10°C to +60°C |
|----------|------------|----------------|
| 50 - 150 | PN 10 | 4 |



Items

| DN | Pressure rating | Connection | L | D | H | H1 | M | Weight (kg) | Color | Item no. |
|-----|-----------------|------------|-----|-----|-----|-----|-----|-------------|--------------|----------|
| 50 | PN 4 | PN 10 | 137 | 165 | 280 | 200 | 140 | 15.0 | Red RAL 3011 | 82148 |
| 65 | PN 4 | PN 10 | 148 | 185 | 340 | 240 | 140 | 21.0 | Red RAL 3011 | 82149 |
| 80 | PN 4 | PN 10 | 174 | 200 | 360 | 260 | 140 | 27.0 | Red RAL 3011 | 82150 |
| 100 | PN 4 | PN 10 | 195 | 220 | 410 | 300 | 140 | 37.0 | Red RAL 3011 | 82151 |
| 125 | PN 4 | PN 10 | 216 | 250 | 485 | 350 | 160 | 50.0 | Red RAL 3011 | 82152 |
| 150 | PN 4 | PN 10 | 242 | 285 | 520 | 400 | 160 | 71.0 | Red RAL 3011 | 82153 |

All measurements in mm. Weights are approximations.