



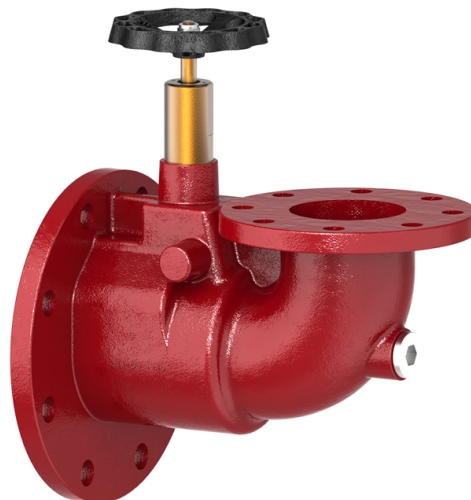
Storm valve angle type 159301

Description

Storm valve is used in shipside applications, as a self closing check valve and is multiturn operated.

Specifications

Flange standard:	EN 1092-2
Face to face standard:	DIN HNA Sr 6
Connection type:	Flanged
Operation:	Handwheel
Actuation:	Multiturn



New angel storm valve

Application

Discharge of sewage water.

Media

Seawater and freshwater.

Variants

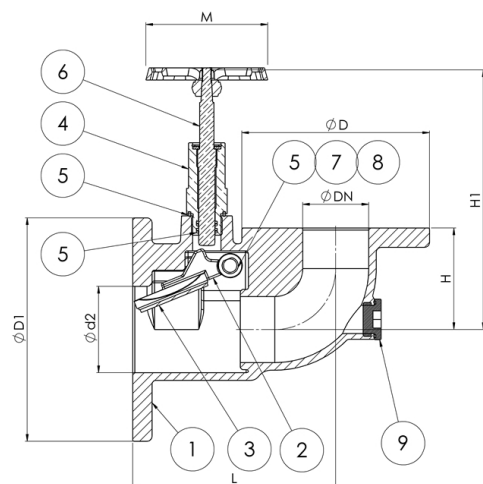
Other materials on request.

Options

Actuators.

Material

No.	Part	Material
1	Body	Ductile iron EN-JS1030 (GGG40)
2	Disc	Ductile iron EN-JS1030 (GGG40)
3	Disc sealing	NBR
4	Sleeve	Brass CW614N (Ms58)
5	Sealing	NBR
6	Stem	Brass CW614N (Ms58)
7	Shaft	Brass CW614N (Ms58)
8	Spring	Stainless steel 1.4310 (AISI301)
9	Plug	Zinc plated steel



New Storm valve angle measurement drawing

Items

DN	Pressure rating	Connection	L	D	D1	D2	H	H1	M	Weight (kg)	Color	Item no.
50	PN 4	PN 10	180	165	200	68	90	217	120	11.7	Red RAL 3011	36434
65	PN 4	PN 10	200	185	220	85	100	255	120	14.3	Red RAL 3011	36435
80	PN 4	PN 10	215	200	250	100	108	256	140	17.0	Red RAL 3011	36436
100	PN 4	PN 10	250	220	285	130	152	311	140	23.4	Red RAL 3011	36437
125	PN 4	PN 10	290	250	315	158	152	322	140	29.3	Red RAL 3011	36438
150	PN 4	PN 10	330	285	340	190	176	334	140	35.5	Red RAL 3011	36439

All measurements in mm. Weights are approximations.