



Storm valve angled type 159121

Description

Storm valve is used in shipside applications, as a self closing check valve and is multiturn operated.

Specifications

Flange standard:	EN 1092-3
Face to face standard:	DIN HNA Sr 6
Bonnet connection:	Bolted
Execution:	Angled
Connection type:	Flanged
Operation:	Handwheel
Actuation:	Multiturn



Application

Discharge of sewage water.

Media

Seawater and freshwater.

Variants

Other dimensions on request.

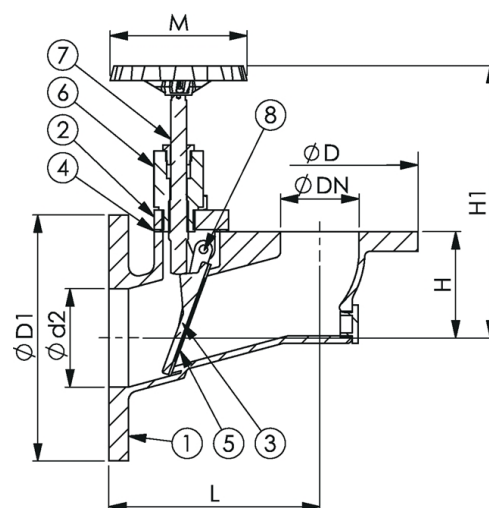
Material

No.	Part	Material
1	Body	Bronze CC491K (RG5)
2	Bonnet	Bronze CC491K (RG5)
3	Disc	Bronze CC491K (RG5)
4	Gasket	NBR
5	Sealing	NBR
6	Stem nut	Brass CW614N (Ms58)
7	Stem	Brass CW614N (Ms58)
8	Pin	Stainless steel 1.4401 (AISI316)



Max. working pressure (bar) at °C

DN	Connection	-10°C to +60°C
50 - 150	PN 10	4



Items

DN	Pressure rating	Connection	L	D	D1	d2	H	H1	M	Weight (kg)	Item no.
50	PN 4	PN 10	180	165	200	68	90	260	140	15.0	92622
65	PN 4	PN 10	200	185	220	85	100	270	140	21.0	40995
80	PN 4	PN 10	215	200	250	100	108	290	140	27.0	40996
100	PN 4	PN 10	250	220	285	130	130	305	140	37.0	40997
125	PN 4	PN 10	290	250	315	158	152	330	160	50.0	40998
150	PN 4	PN 10	330	285	340	190	176	350	160	71.0	40999

All measurements in mm. Weights are approximations.