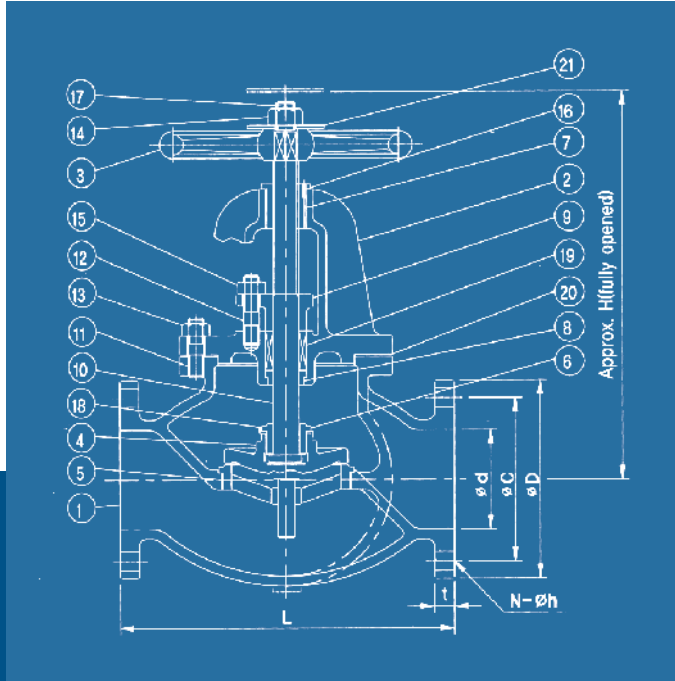


# TECHNICAL DATA

## GLOBE SCREW-DOWN CHECK VALVE CAST IRON - 16K



### FLUID CONDITION & MAX. WORKING PRESSURE

Rating Fluid Condition	JIS 16K 50A to 200A	
	Class B	Class S
Steam up to 230°C	-	1.57(16)
Steam up to 205°C	0.98(10)	1.57(16)
Saturated steam		
Air and gas	1.57(16)	
Oil and pulsation water	1.57(16)	
Non-shock water up to 120°C	2.16(22)	

### DIMENSIONS

Rating	size (mm)	Ød (mm)	ØD (mm)	ØC (mm)	N-Øh (mm)	t (mm)	L (mm)	H (mm)	Weight (kg)
JIS 16K	50A	50	155	120	8-19	20	220	285	19.9
(JIS F7377)	65A	65	175	140	8-19	22	270	310	28.3
	80A	80	200	160	8-23	24	300	340	40.4
	100A	100	225	185	8-23	26	350	385	56.9
	125A	125	270	225	8-25	26	430	455	89.5
	150A	150	305	260	12-25	28	500	510	123
	200A	200	350	305	12-25	30	570	630	188

### TECHNICAL FEATURES



Indicator



Screw Down Non Return (SDNR)

1	body	cast iron
2	bonnet	cast iron
3	handwheel	cast iron
4	disc	bronze / ss
5	valve seat	bronze / ss
6	disc nut	bronze / ss
7	screw bonnet bush	bronze / ss
8	bonnet bush	bronze / ss
9	packing gland	bronze
10	stem	brass / ss
11	stud bolt	steel
12	stud bolt	steel
13	hexagon nut	steel
14	hexagon nut	steel
15	hexagon nut	steel
16	lock pin	steel
17	split pin	brass
18	disc lock washer	brass
19	packing	non asbestos
20	gasket	non asbestos
21	washer	steel