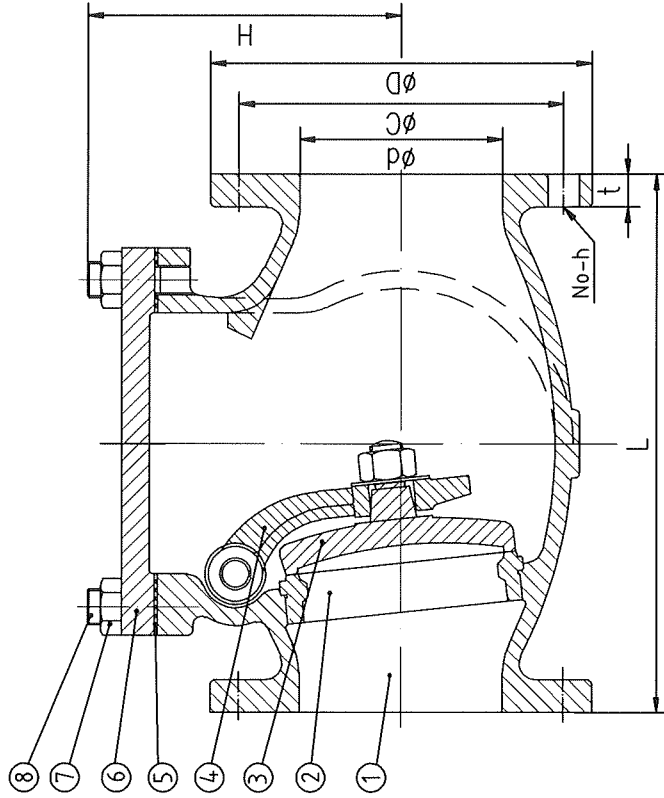


Marine Cast Iron Lift Check Globe Valves 10K



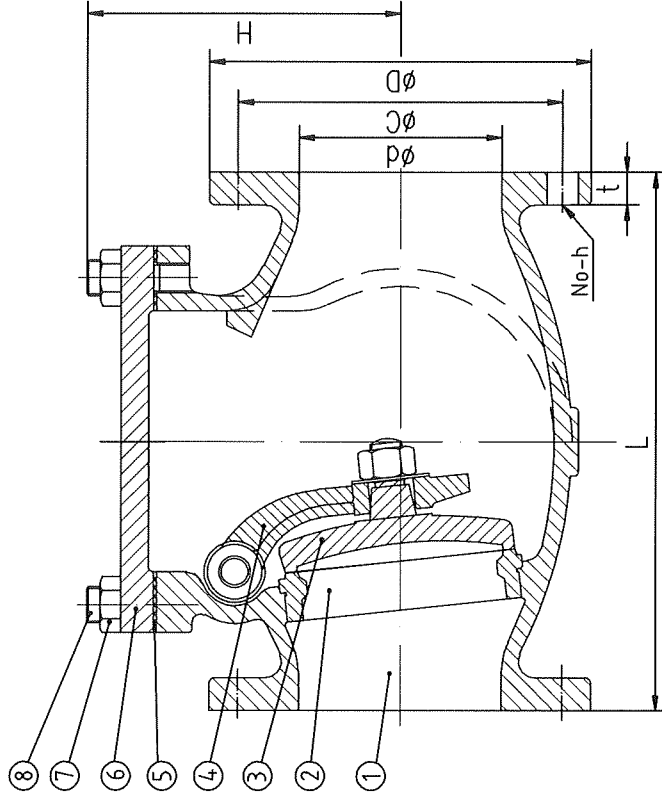
DN	d	L	D	C	No-h	t	H	a
50	50	210	155	120	4-19	20	109	10
65	65	240	175	140	4-19	22	126	11
80	80	270	185	150	8-19	22	136	11
100	100	300	210	175	8-19	24	153	12
125	125	350	250	210	8-23	24	180	13
150	150	400	280	240	8-23	26	205	14
200	200	480	330	290	12-23	26	242	17

Technical Specification

Nominal Pressure	Strength testing pressure	Seat testing pressure
10K	2.1MPa	1.54MPa

8	Double Open end Bolt	Q235A	
7	Nut	Q235A	
6	Cover	HT200	
5	Asbestos Free	Expanded graphite	
4	Rocker	2Cr13	
3	Disc	2Cr13	
2	Sealing Ring	2Cr13	
1	Body	HT200	
NO.	Description	Material	Remark
			JIS 7373-10K
Note	Handle NO.	Sign	Date
Design	Fukewei	Review	
Calibrator	Fukewei	Approver	
Process		Date	2015.1.31
DRAWING			
		Note	QTY
			Proportion
A total of 1 first			

Marine Cast Iron Lift Check Globe Valves 5K



Technical Specification

Nominal Pressure	Strength testing pressure	Seat testing pressure
5K	1.05MPa	0.7MPa

DN	d	L	D	C	No-h	t	H	a
50	50	190	130	105	4-15	16	97	8
65	65	220	155	130	4-15	18	119	9
80	80	250	180	145	4-19	18	129	9
100	100	280	200	165	8-19	20	146	10
125	125	330	235	200	8-19	20	171	11
150	150	380	265	230	8-19	22	198	12
200	200	460	320	280	8-23	24	235	15
250	250	550	385	345	12-23	26	290	16
300	300	640	430	390	12-23	28	351	17

8	Double Open end Bolt	Q235A	Material	Remark
7	Nut	Q235A		
6	Cover	HT200		
5	Asbestos Free	Expanded graphite		
4	Rocker	2Cr13		
3	Disc	2Cr13		
2	Sealing Ring	2Cr13		
1	Body	HT200		
NO.	Description			
DRAWING				
JIS 7372-5K				
Note	Handle	NO.	Sign	Date
Design	Fukewei		Review	
Calibrator	Fukewei		Approver	
Process			Date	2015.1.31
			QTY	Proportion
				A total of 1 first