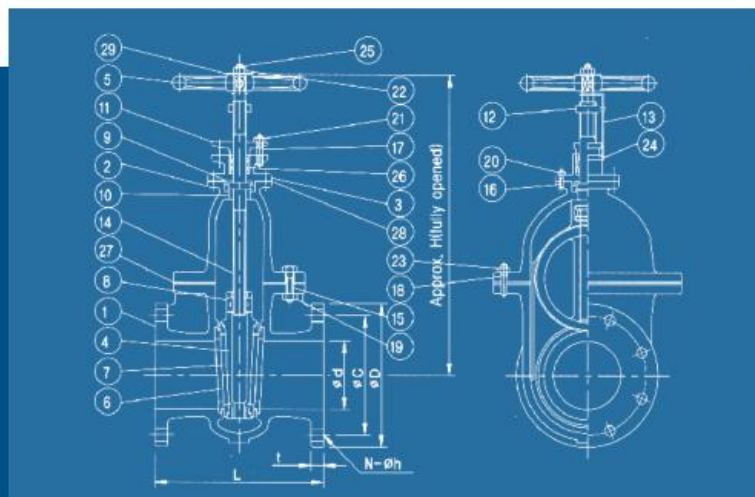


TECHNICAL DATA

GATE VALVE CAST IRON - 16K



TECHNICAL FEATURES

1	body	cast iron
2	bonnet	cast iron
3	stuffing box	cast iron
4	disc	cast iron
5	handwheel	cast iron
6	valve seat of body	bronze / ss
7	valve seat of disc	bronze / ss
8	screwed piece	bronze / ss
9	guide bush	bronze / ss
10	guide bush	bronze / ss
11	packing gland	bronze
12	indicator	brass
13	indicator plate	brass
14	stem	brass / ss
15	stud bolt	steel
16	stud bolt	steel
17	stud bolt	steel
18	taper pin with thread	stainless steel
19	hexagon nut	steel
20	hexagon nut	steel
21	hexagon nut	steel
22	hexagon nut	steel
23	hexagon nut	steel

FLUID CONDITION & MAX. WORKING PRESSURE

Fluid Condition	Max. working pressure
	JIS 16K 300 to 400A
Oil and pulsation water	1.57(16)

1

Item #	Size	L	D	C	Number of Holes	h
	050	200 mm	155 mm	120 mm	8	19 mm
	065	220 mm	175 mm	140 mm	8	19 mm
	080	230 mm	200 mm	160 mm	8	23 mm
	100	250 mm	225 mm	185 mm	8	23 mm
	125	270 mm	270 mm	225 mm	8	25 mm
	150	290 mm	305 mm	260 mm	12	25 mm
	200	310 mm	350 mm	305 mm	12	25 mm
	250	350 mm	430 mm	380 mm	12	27 mm