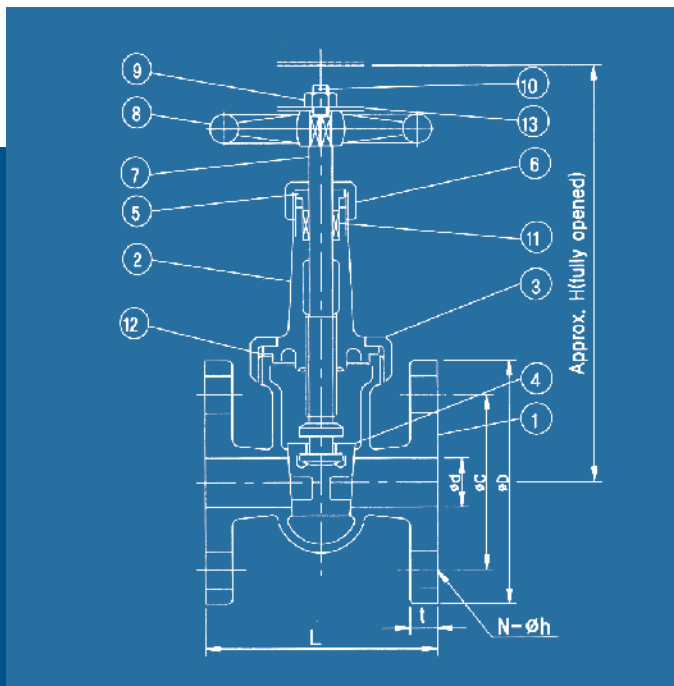


# TECHNICAL DATA

## GATE VALVE BRONZE - 10K

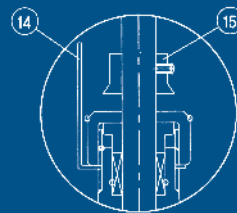


### TECHNICAL FEATURES

1	body	bronze
2	bonnet	bronze
3	bonnet nut	bronze
4	disc	bronze
5	packing gland	brass
6	packing gland nut	brass
7	stem	brass
8	handwheel	cast iron
9	hexagon nut	brass
10	split pin	brass
11	packing	non asbestos
12	gasket	non asbestos
13	washer	steel
14	indicator plate	brass
15	indicator piece	brass

### FLUID CONDITION & MAX. WORKING PRESSURE

Rating Fluid Condition	JIS 10K
oil and pulsation water	0.98(10)
staturated steam	0.20(2)
non-shock water up to 120 °C	1.37(14)



Indicator

### DIMENSIONS

Rating	size (mm)	Ød (mm)	ØD (mm)	ØC (mm)	N-Øh (mm)	t (mm)	L (mm)	H (mm)	Weight (kg)
JIS 10K	15A	15	95	70	4-15	12	100	175	2.96
(JIS F7367)	20A	20	100	75	4-15	14	110	200	3.89
	25A	25	125	90	4-19	14	120	220	5.82
	32A	32	135	100	4-19	16	140	250	7.52
	40A	40	140	105	4-19	16	150	290	9.71
	50A	50	155	120	4-19	16	200	300	