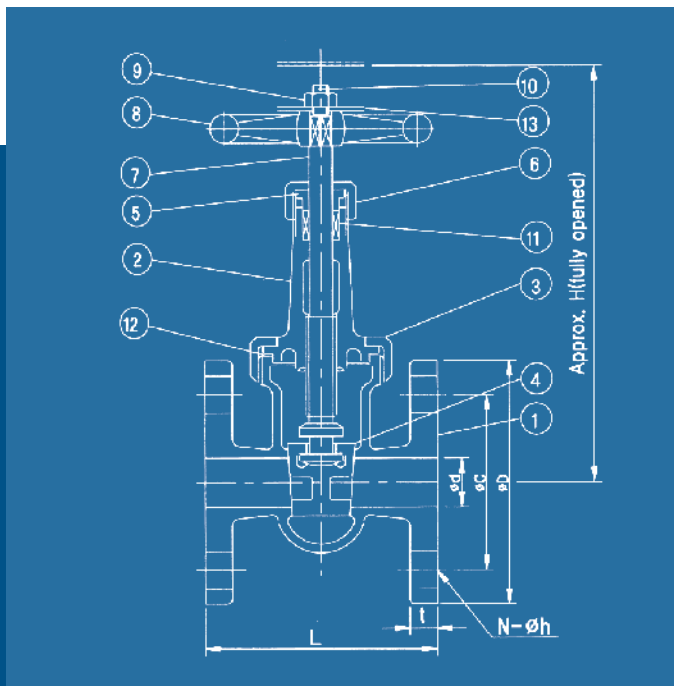


TECHNICAL DATA

GATE VALVE BRONZE - 5K

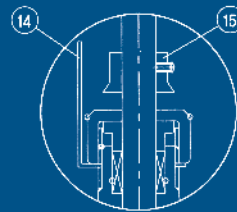


TECHNICAL FEATURES

1	body	bronze
2	bonnet	bronze
3	bonnet nut	bronze
4	disc	bronze
5	packing gland	brass
6	packing gland nut	brass
7	stem	brass
8	handwheel	cast iron
9	hexagon nut	brass
10	split pin	brass
11	packing	non asbestos
12	gasket	non asbestos
13	washer	steel
14	indicator plate	brass
15	indicator piece	brass

FLUID CONDITION & MAX. WORKING PRESSURE

Rating Fluid Condition	JIS 5K
oil and pulsation water	0.49(5)
saturated steam	0.20(2)
non-shock water up to 120 °C	0.69(7)



Indicator

DIMENSIONS

Rating	size (mm)	Ød (mm)	ØD (mm)	ØC (mm)	N-Øh (mm)	t (mm)	L (mm)	H (mm)	Weight (kg)
JIS 5K	15A	15	80	60	4-12	9	90	175	2.29
(JIS F7367)	20A	20	85	65	4-12	10	100	200	2.98
	25A	25	95	75	4-12	10	110	220	4.10
	32A	32	115	90	4-15	12	130	250	5.79
	40A	40	120	95	4-15	12	140	290	7.78
	50A	50	155	120	4-19	16	200	300	