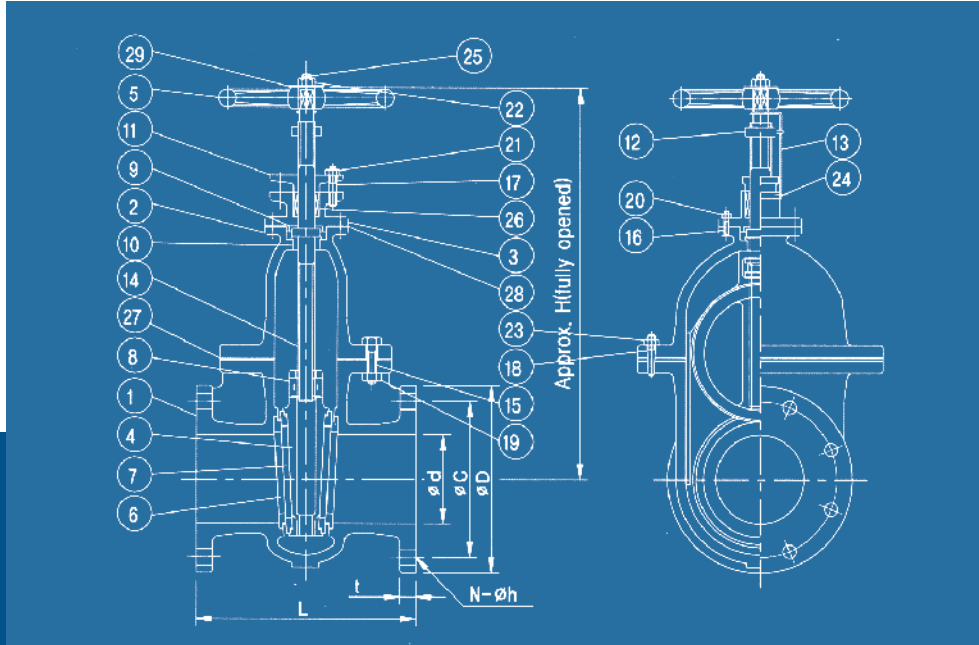


TECHNICAL DATA

GATE VALVE CAST IRON - 10K



FLUID CONDITION & MAX. WORKING PRESSURE

Fluid Condition	Max. working pressure JIS 10K		
	Up to 200A	250 to 400A	450 to 600A
Saturated steam	0.49(5)	0.29(3)	
Oil and pulsation water	0.98(10)		
Non-Shock Water up to 120°C	1.37(14)		1.18(12)

DIMENSIONS

Size	Rating	Ød (mm)	ØD (mm)	ØC (mm)	n-Øh (mm)	t (mm)	L (mm)	H (mm)	Weight (kg)
JIS 10K	50A	50	155	120	4-19	20	200	300	19.4
	65A	65	175	140	4-19	22	220	350	27.6
	80A	80	185	150	8-19	22	230	400	33.0
	100A	100	210	175	8-19	24	250	450	45.8
	125A	125	250	210	8-23	24	270	520	65.9
	150A	150	280	240	8-23	26	290	580	86.0
	200A	200	330	290	12-23	26	320	700	136.0
	250A	250	400	355	12-25	30	380	840	230.0
	300A	300	445	400	16-25	32	440	960	331.0
	350A	335	490	445	16-25	34	500	1050	433.0
	400A	380	560	510	16-27	36	590	1150	597.0

TECHNICAL FEATURES

1	body	cast iron
2	bonnet	cast iron
3	stuffing box	cast iron
4	disc	cast iron
5	handwheel	cast iron
6	valve seat of body	bronze / ss
7	valve seat of disc	bronze / ss
8	screwed piece	bronze / ss
9	guide bush	bronze / ss
10	guide bush	bronze / ss
11	packing gland	bronze
12	indicator	brass
13	indicator plate	brass
14	stem	brass / ss
15	stud bolt	steel
16	stud bolt	steel
17	stud bolt	steel
18	taper pin with thread	stainless steel
19	hexagon nut	steel
20	hexagon nut	steel
21	hexagon nut	steel
22	hexagon nut	steel
23	hexagon nut	steel
24	machine screw	steel
25	split pin	brass
26	packing	non asbestos
27	gasket	non asbestos
28	gasket	non asbestos
29	washer	steel