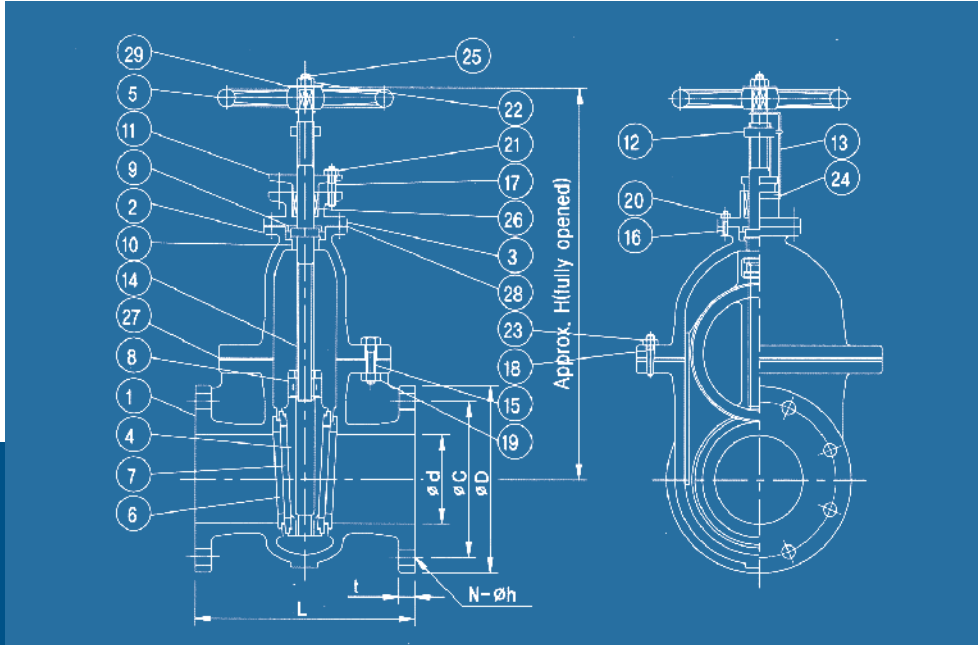


TECHNICAL DATA

GATE VALVE CAST IRON - 5K



FLUID CONDITION & MAX. WORKING PRESSURE

Fluid Condition	Max. working pressure JIS 5K		
	Up to 200A	250 to 400A	450 to 600A
Saturated steam	0.29(3)	0.20(2)	
Oil and pulsation water	0.49(5)		
Non-Shock Water up to 120°C	0.69(7)	0.49(5)	
Fluid condition	JIS 16K		
	300A to 400A		
Oil and pulsation water	1.57(16)		

DIMENSIONS

Rating	Size	Ød (mm)	ØD (mm)	ØC (mm)	n-Øh (mm)	t (mm)	L (mm)	H (mm)	Weight (kg)
JIS 5K	50A	50	130	105	4-15	16	180	285	13.5
	65A	65	155	130	4-15	18	190	330	19.6
	80A	80	180	145	4-19	18	200	380	24.2
	100A	100	200	165	8-19	20	230	430	35.3
	125A	125	235	200	8-19	20	250	495	48.1
	150A	150	265	230	8-19	22	270	560	65.3
	200A	200	320	280	8-23	24	290	680	103
	250A	250	385	345	12-23	26	330	800	164
	300A	300	430	390	12-23	28	370	920	236
	350A	335	480	435	12-25	30	410	1000	307
	400A	380	540	495	16-25	30	470	1100	405

TECHNICAL FEATURES

1	body	cast iron
2	bonnet	cast iron
3	stuffing box	cast iron
4	disc	cast iron
5	handwheel	cast iron
6	valve seat of body	bronze / ss
7	valve seat of disc	bronze / ss
8	screwed piece	bronze / ss
9	guide bush	bronze / ss
10	guide bush	bronze / ss
11	packing gland	bronze
12	indicator	brass
13	indicator plate	brass
14	stem	brass / ss
15	stud bolt	steel
16	stud bolt	steel
17	stud bolt	steel
18	taper pin with thread	stainless steel
19	hexagon nut	steel
20	hexagon nut	steel
21	hexagon nut	steel
22	hexagon nut	steel
23	hexagon nut	steel
24	machine screw	steel
25	split pin	brass
26	packing gasket	non asbestos
27	gasket	non asbestos
28	gasket	non asbestos
29	washer	steel