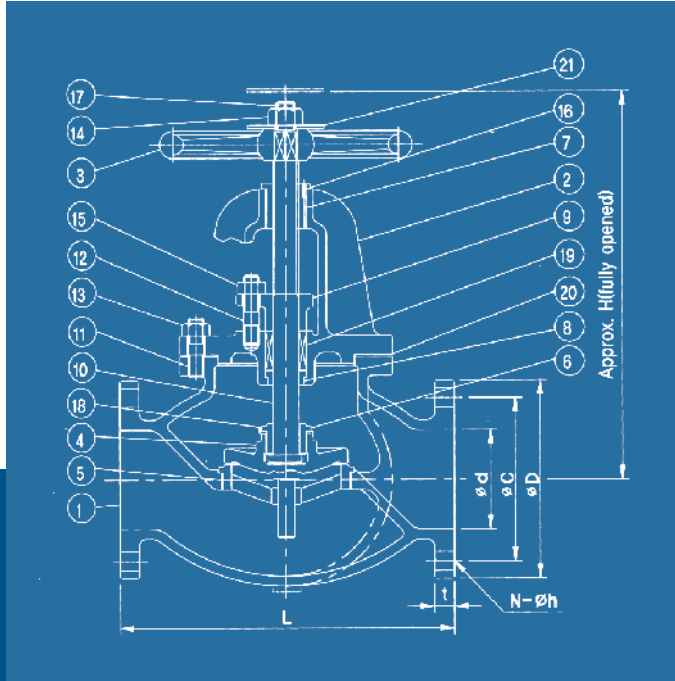


# TECHNICAL DATA

## GLOBE VALVE CAST IRON - 16K



### FLUID CONDITION & MAX. WORKING PRESSURE

Rating Fluid Condition	JIS 16K 50A to 200A	
	Class B	Class S
Steam up to 230°C	-	1.57(16)
Steam up to 205°C	0.98(10)	1.57(16)
Saturated steam		
Air and gas	1.57(16)	
Oil and pulsation water	1.57(16)	
Non-shock water up to 120°C	2.16(22)	

### DIMENSIONS

Rating	size (mm)	$\phi d$ (mm)	$\phi D$ (mm)	$\phi C$ (mm)	N- $\phi h$ (mm)	t (mm)	L (mm)	H (mm)	Weight (kg)
JIS 16K	50A	50	155	120	8-19	20	220	285	19.9
(JIS F7309)	65A	65	175	140	8-19	22	270	310	28.3
	80A	80	200	160	8-23	24	300	340	40.4
	100A	100	225	185	8-23	26	350	385	56.9
	125A	125	270	225	8-25	26	430	455	89.5
	150A	150	305	260	12-25	28	500	510	123
	200A	200	350	305	12-25	30	570	630	188

### TECHNICAL FEATURES

- |    |                   |              |
|----|-------------------|--------------|
| 1  | body              | cast iron    |
| 2  | bonnet            | cast iron    |
| 3  | handwheel         | cast iron    |
| 4  | disc              | bronze / ss  |
| 5  | valve seat        | bronze / ss  |
| 6  | disc nut          | bronze / ss  |
| 7  | screw bonnet bush | bronze / ss  |
| 8  | bonnet bush       | bronze / ss  |
| 9  | packing gland     | bronze       |
| 10 | stem              | brass / ss   |
| 11 | stud bolt         | steel        |
| 12 | stud bolt         | steel        |
| 13 | hexagon nut       | steel        |
| 14 | hexagon nut       | steel        |
| 15 | hexagon nut       | steel        |
| 16 | lock pin          | steel        |
| 17 | split pin         | brass        |
| 18 | disc lock washer  | brass        |
| 19 | packing           | non asbestos |
| 20 | gasket            | non asbestos |
| 21 | washer            | steel        |



Indicator



Screw Down Non Return (SDNR)