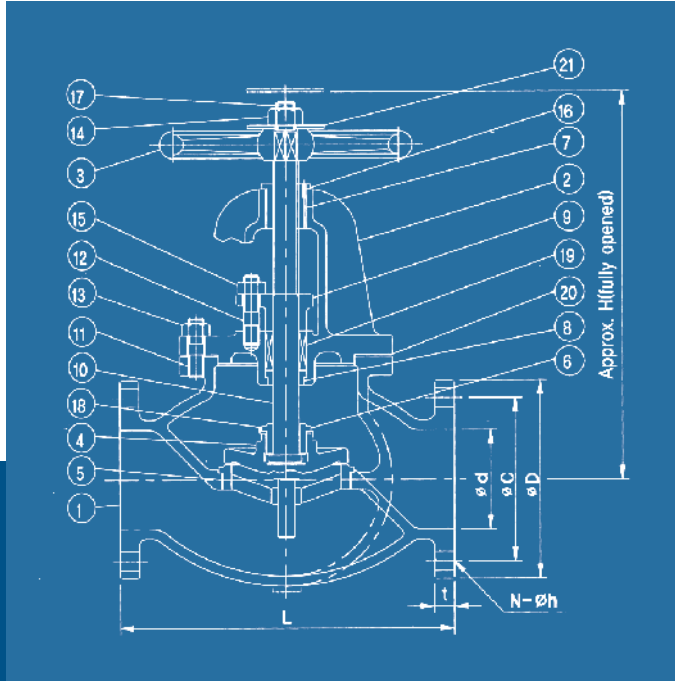


TECHNICAL DATA

GLOBE VALVE CAST IRON - 10K



FLUID CONDITION & MAX. WORKING PRESSURE

Rating Fluid Condition	JIS 10K up to 200A		JIS 10K over 250A	
	Class B	Class S	Class A	Class B
Steam up to 230°C	-	0.98(10)	-	-
Steam up to 205°C	0.98(10)	-	-	-
Saturated steam	0.98(10)	-	0.49(5)	-
Air and gas	0.98(10)	-	-	-
Oil and pulsation water	0.98(10)	-	0.98(10)	-
Non-shock water up to 120°C	1.37(14)	-	0.98(10)	-

DIMENSIONS

Rating	size (mm)	ϕd (mm)	ϕD (mm)	ϕC (mm)	N- ϕh (mm)	t (mm)	L (mm)	H (mm)	Weight (kg)
JIS 10K	50A	50	155	120	4-19	20	220	285	19.9
(JIS F7307)	65A	65	175	140	4-19	22	270	310	28.7
	80A	80	185	150	8-19	22	300	320	32.4
	100A	100	210	175	8-19	24	350	370	48.7
	125A	125	250	210	8-23	24	420	420	73.1
	150A	150	280	240	8-23	26	490	470	104
	200A	200	330	290	12-23	26	570	555	162
	250A	250	400	355	12-25	30	740	680	304
	300A	300	445	400	16-25	32	840	770	458

TECHNICAL FEATURES

- | | | |
|----|-------------------|--------------|
| 1 | body | cast iron |
| 2 | bonnet | cast iron |
| 3 | handwheel | cast iron |
| 4 | disc | bronze / ss |
| 5 | valve seat | bronze / ss |
| 6 | disc nut | bronze / ss |
| 7 | screw bonnet bush | bronze / ss |
| 8 | bonnet bush | bronze / ss |
| 9 | packing gland | bronze |
| 10 | stem | brass / ss |
| 11 | stud bolt | steel |
| 12 | stud bolt | steel |
| 13 | hexagon nut | steel |
| 14 | hexagon nut | steel |
| 15 | hexagon nut | steel |
| 16 | lock pin | steel |
| 17 | split pin | brass |
| 18 | disc lock washer | brass |
| 19 | packing | non asbestos |
| 20 | gasket | non asbestos |
| 21 | washer | steel |



Indicator



Screw Down Non Return (SDNR)