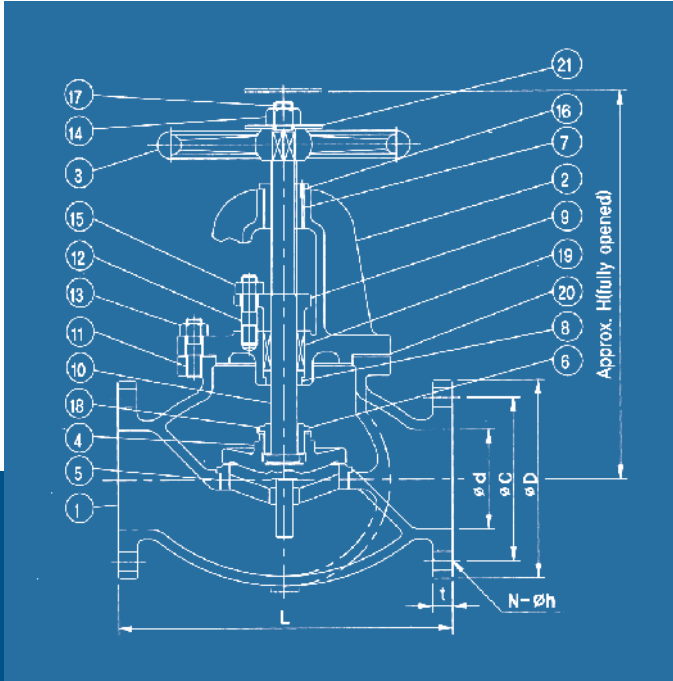


TECHNICAL DATA

GLOBE VALVE CAST IRON - 5K



FLUID CONDITION & MAX. WORKING PRESSURE

Rating Fluid Condition	JIS 5K up to 200A		JIS 5K 250A to 400A
	Class B	Class S	Class B
Steam up to 230°C	-	0.49(5)	-
Steam up to 205°C	0.49(5)	-	-
Saturated steam			
Air and gas	0.49(5) up to 300A		
Oil and pulsation water	0.49(5)		
Non-shock water up to 120°C	0.69(7) up to 300A		0.59(6)

DIMENSIONS

Rating	size (mm)	Ød (mm)	ØD (mm)	ØC (mm)	N-Øh (mm)	t (mm)	L (mm)	H (mm)	Weight (kg)
JIS 5K	50A	50	130	105	4-15	16	210	270	14.7
(JIS F7305)	65A	65	155	130	4-15	18	250	300	21.3
	80A	80	180	145	4-19	18	280	310	27.7
	100A	100	200	165	8-19	20	340	360	40.8
	125A	125	235	200	8-19	20	410	390	57.6
	150A	150	265	230	8-19	22	480	445	80.3
	200A	200	320	280	8-23	24	570	530	139
	250A	250	385	345	12-23	26	740	650	246
	300A	300	430	390	12-23	28	840	740	377
	350A	335	480	435	12-25	30	940	840	462
	400A	380	540	495	16-25	30	1050	940	647

TECHNICAL FEATURES

1	body	cast iron
2	bonnet	cast iron
3	handwheel	cast iron
4	disc	bronze / ss
5	valve seat	bronze / ss
6	disc nut	bronze / ss
7	screw bonnet bush	bronze / ss
8	bonnet bush	bronze / ss
9	packing gland	bronze
10	stem	brass / ss
11	stud bolt	steel
12	stud bolt	steel
13	hexagon nut	steel
14	hexagon nut	steel
15	hexagon nut	steel
16	lock pin	steel
17	split pin	brass
18	disc lock washer	brass
19	packing gasket	non asbestos
20	gasket	non asbestos
21	washer	steel



Indicator



Screw Down Non Return (SDNR)